

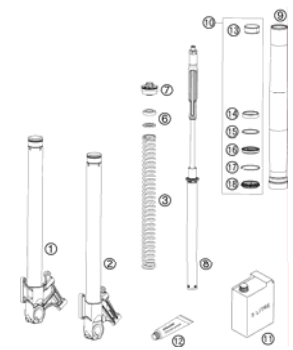
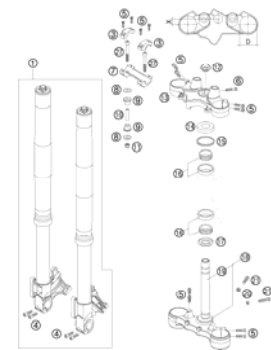
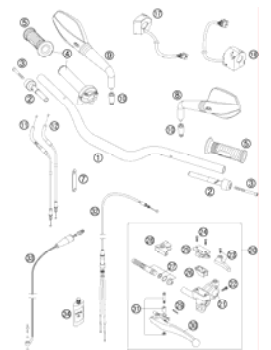
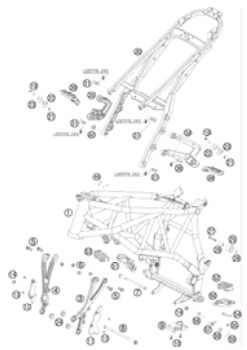
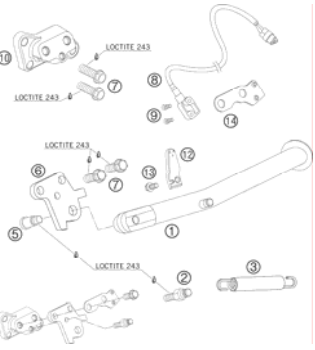
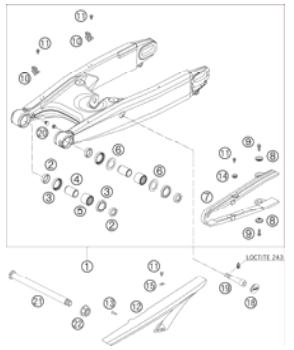
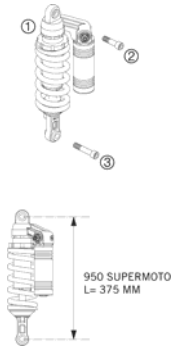
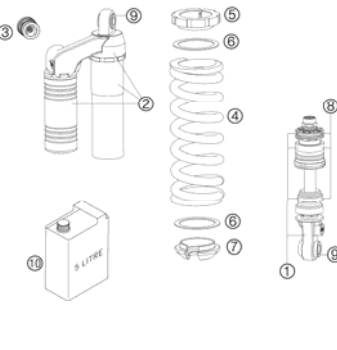
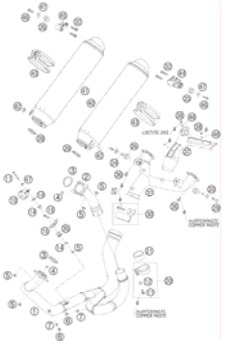
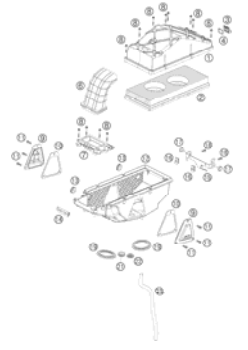
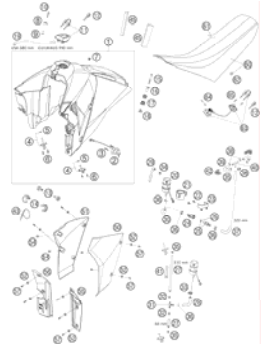
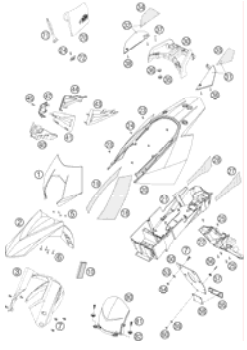
950 SUPERMOTO ORANGE EU 2007


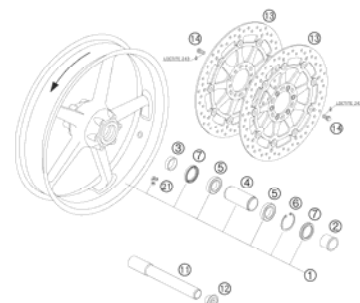
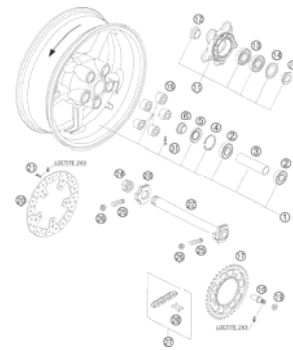
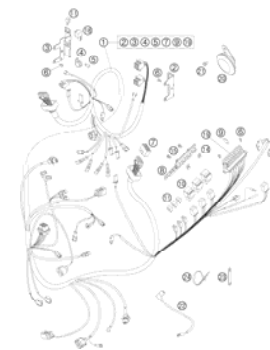
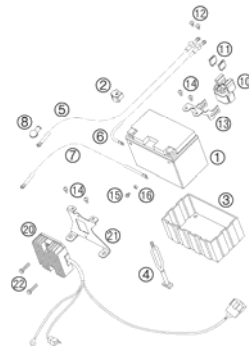
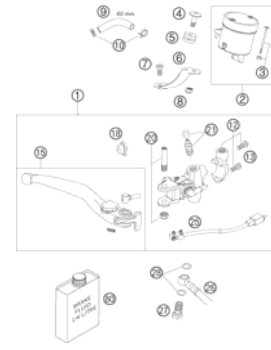
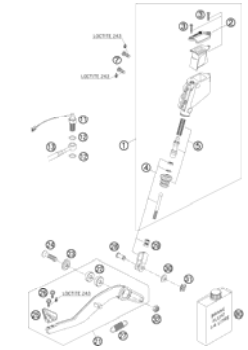
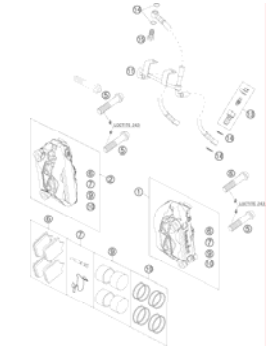
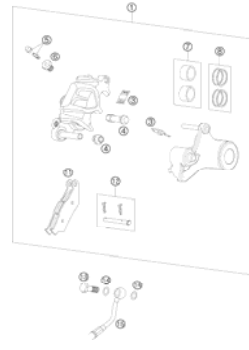
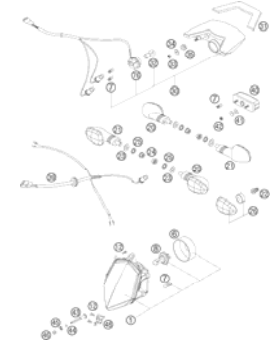


SPARE PARTS MANUAL: CHASSIS



ART.NO.: 3CF9803G0EN

ENGLISH



<p>FORK LEGS</p>  <p>4</p>	<p>TELESCOPIC FORK</p>  <p>5</p>	<p>HANDLEBAR, CONTROLS</p>  <p>6</p>	<p>FRAME, SUB FRAME</p>  <p>7</p>
<p>SIDE STAND</p>  <p>9</p>	<p>SWINGARM</p>  <p>10</p>	<p>MONOSHOCK</p>  <p>11</p>	<p>MONOSHOCK DISASSEMBLED</p>  <p>12</p>
<p>EXHAUST SYSTEM</p>  <p>13</p>	<p>AIR FILTER BOX</p>  <p>14</p>	<p>TANK, SEAT, COVER</p>  <p>15</p>	<p>MASK, FENDERS</p>  <p>17</p>

<p>DECAL</p>  <p>19</p>	<p>FRONT WHEEL</p>  <p>20</p>	<p>REAR WHEEL</p>  <p>21</p>	<p>WIRING HARNESS</p>  <p>22</p>
<p>BATTERY</p>  <p>23</p>	<p>HAND BRAKE CYLINDER</p>  <p>24</p>	<p>REAR BRAKE CONTROL</p>  <p>25</p>	<p>BRAKE CALIPER FRONT</p>  <p>26</p>
<p>BRAKE CALIPER REAR</p>  <p>27</p>	<p>LIGHTING SYSTEM</p>  <p>28</p>	<p>SPEEDOMETER</p>  <p>29</p>	<p>SPECIAL TOOLS</p>  <p>30</p>

<p>ACCESSORIES</p>  <p style="text-align: right;">31</p>			
	<div style="display: flex; align-items: center;">  <p>All information contained is without obligation. KTM-Sportmotorcycle AG particularly reserves the right to modify any equipment, technical specifications, prices, colors, shapes, materials, services, service work, constructions, equipment and the like so as to adapt them to local conditions or to cancel any of the above items, all without previous announcement and without giving reasons. KTM may stop manufacturing certain models without previous notice. KTM shall not be held liable for any deviations of availability and/or ability to deliver, illustrations, descriptions, printing and/or other errors. The illustrated models partly contain extra equipment, which is not applied to standard models. © by KTM-SPORTMOTORCYCLE AG, Mattighofen AUSTRIA; All rights reserved; Reprint, also in extracts, with written allowance of KTM-SPORTMOTORCYCLE AG, Mattighofen only.</p> </div>		

FORK LEGS

950 SUPERMOTO ORANGE EU 2007

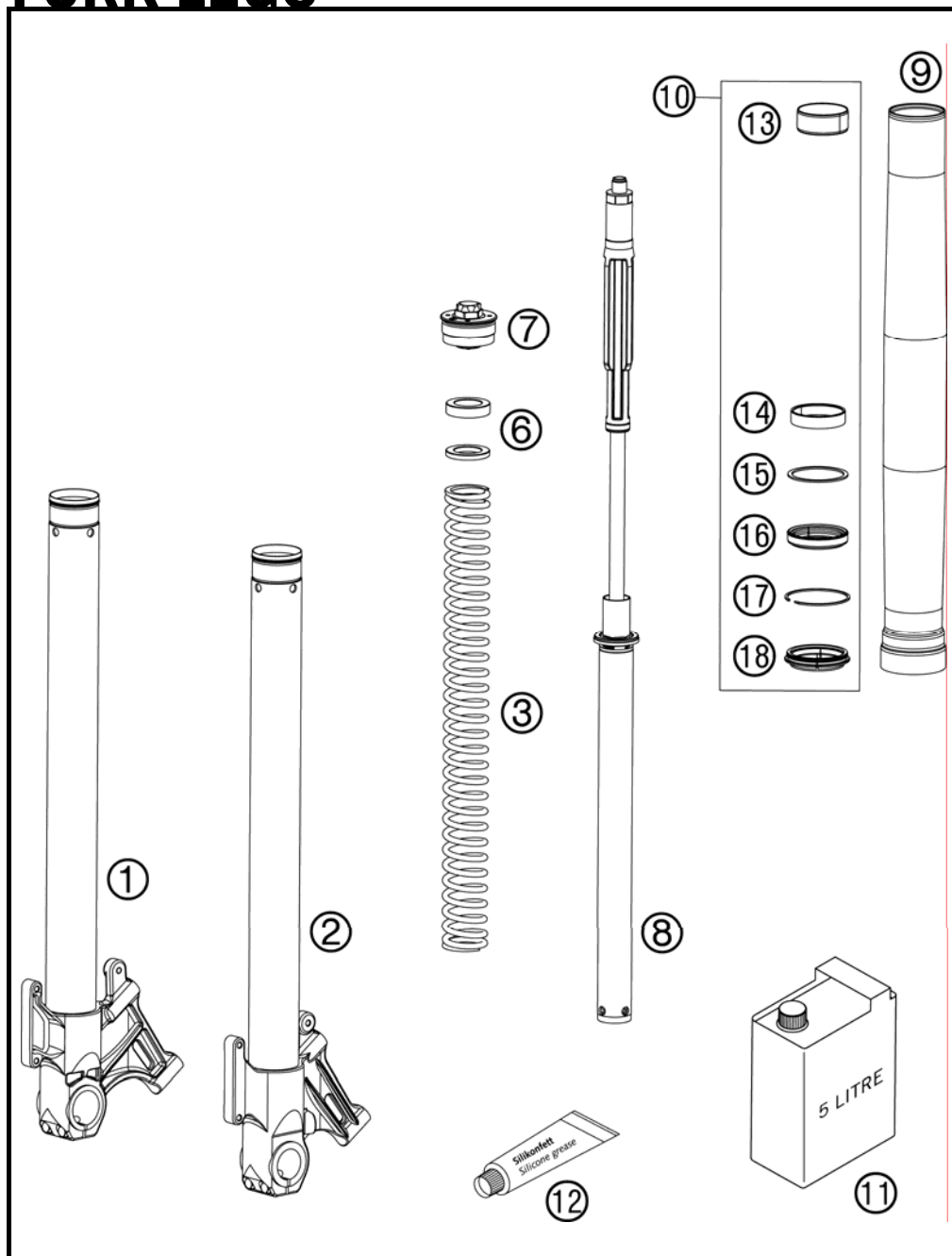


FIG	PART NUMBER	DESCRIPTION	QTY
1	48600482S1	AXLE CLAMP R/S CPL. 05	1
2	48600483S1	AXLE CLAMP L/S CPL. 05	1
3	91410044S	SPRING C=5,6 L=450 D=5,5 05	2
6	48600036	SPACER 42X26,5X2,5	2
6	48600037	SPACER 42X26,5X5	2
6	48600053	SPACER 42X26,5X1,5	2
7	48600431S	PRE-LOAD ADJ. CPL. M51X1,5 05	2
8	48600502S	CARTRIDGE CPI. 05	2
9	48600484	OUTER TUBE L=500MM D=54/60	2
10	R14011	REPAIR-KIT GASKET 05	1
11	48600401S1	FORK OIL SAE 5 2005	1
12	T511	SILICONE GREASE F. DUST STRI	1
13	48600428	DU-BUSH D47XD49X20DDL02	2
14	48600429	DU-BUSH D48XD52X12DDL02	2
15	48600013	SUPPORT RING 50 X 57,6 X 1,5	2
16	48600399	OIL SEAL RING 48X57,8X9,5	2
17	48600070	LOCK WASHER SB58	2
18	48600400	DUST CAP D=48 58,4X11,8	2

056250102 / C056250102

* NEW PART

X AS REQUIRED

TELESCOPIC FORK

950 SUPERMOTO ORANGE EU 2007

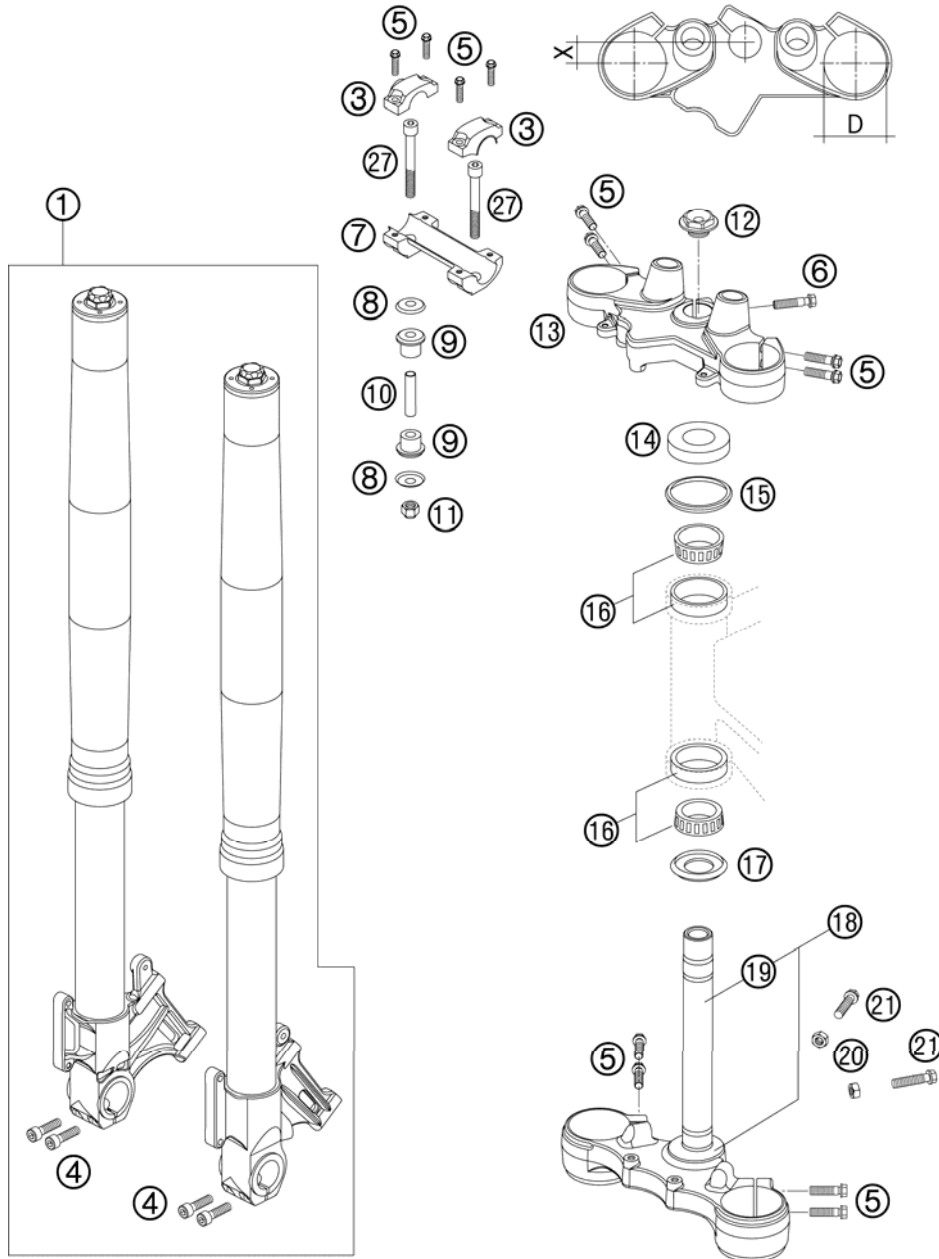


FIG	PART NUMBER	DESCRIPTION	QTY
1*	14187C20	FRONT FORK WP 950 SUPERMOTO 07	1
3*	5900103830001S	HANDLEBAR CLAMP 28MM 07	2
4	0912080303	AH SCREW DIN0912-M 8X30	4
5	0015080303	HH COLLAR SCREW M 8X30 WS=10	12
6	0015080353	HH COLLAR SCREW M 8X35 WS=10	1
7*	5900103920001S	HANDLEBAR SUPPORT 28MM 07	1
8	56401042000	WASHER 10,5X32X2	4
9	56401040000	RUBBER BUSHING	4
10	56401041100	SPACER TUBE 10,2X12X44	2
11	0982100003	SELF LOCK.NUT DIN0982-M10 HIGH	2
12	54801036200	STEER.HEAD SCREW M20x1,5 SW=27	1
13*	6250103402801S	TOP TRIPLE CLAMP 07	1
14	54201086000	STEERING HEAD COVER	1
15	54601184000	STEERING HEAD GASKET TOP	1
16	54201081100	TAPERED ROLLER BEARING CPL. 06	2
17	54601084100	O-RING SUPPORT W. SEALING LIP	1
18*	6250103202801S	BOTTOM TRIPLE CLAMP CPL. 07	1
19	60001033000	FORK TUBE LC8 ADV 03	1
20	0934080003	HEXAGON NUT DIN0934-M 8	2
21	0933080303	HH SCREW DIN0933-M 8X30	2
27	0984100703	AH SCREW DIN6912-M10X70	2

076250100 / C076250100

* NEW PART

X AS REQUIRED

HANDLEBAR, CONTROLS

950 SUPERMOTO ORANGE EU 2007

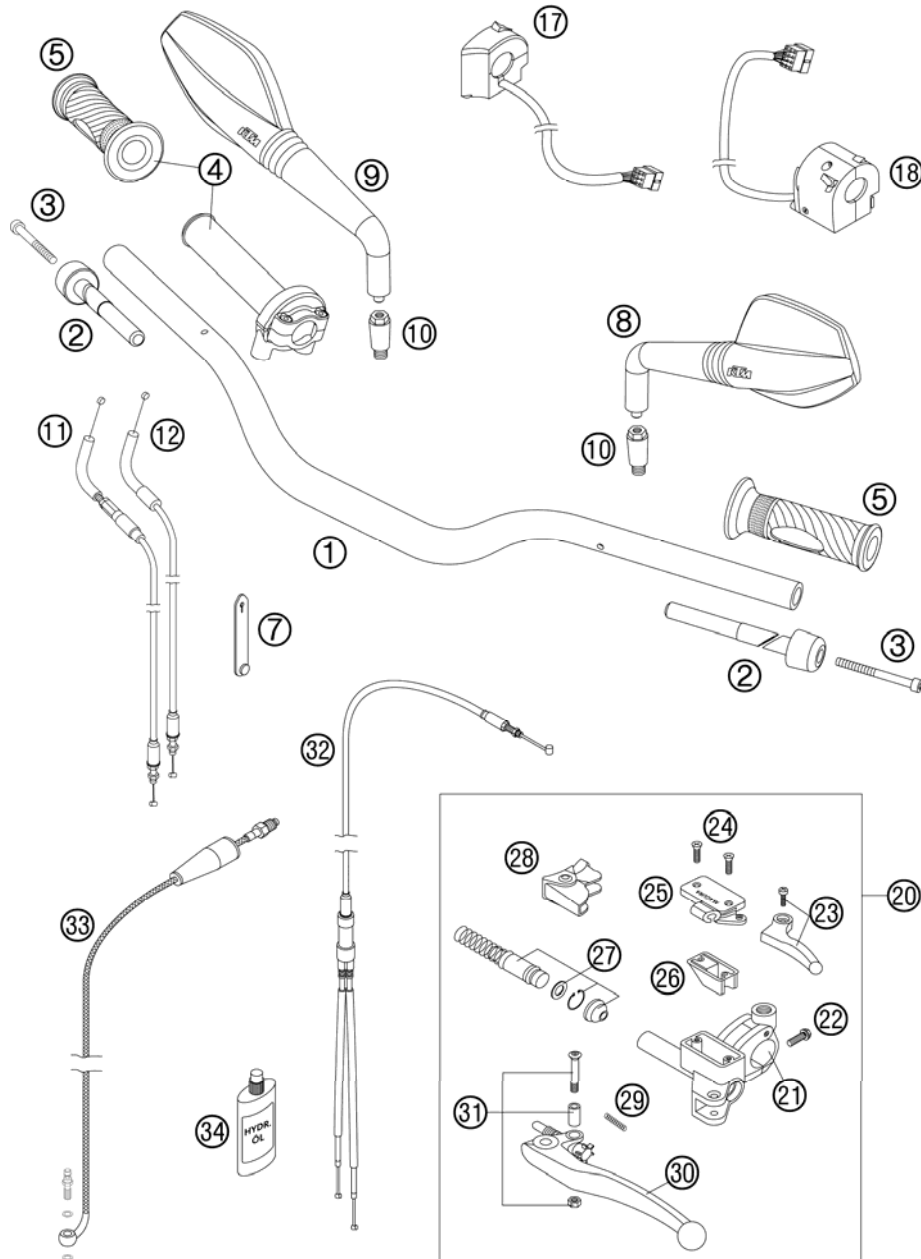


FIG	PART NUMBER	DESCRIPTION	QTY
1	62502001000	HANDLEBAR ALU 05	1
2	61002004000	VIBRATIONS ABSORBER 05	2
3	0912060653	AH SCREW DIN0912-M 6X65	2
4	61002010000	THROTTLE GRIP 05	1
5	61002021000	GRIPP SET	1
7	60011093045	RUBBER CABLE TIE 45MM 03	x
8*	61112040000	REVIEW MIRROR L/S 07	1
9*	61112041000	REVIEW MIRROR R/S 07	1
10	58412040050	SUPPORT FOR MIRROR LC4 '98	2
11	62502091000	THROTTLE CABLE OPEN 05	1
12	62502092000	THROTTLE CABLE CLOSE 05	1
17	58411074300	START-STOP SWITCH AD 03	1
18	61011070000	LIGHT SWITCH 05	1
20	60002030000	MASTER CYLINDER CPL. LC8 2003	1
21	60002044000	CLAMP MIRROR WITH CLAMP	1
22	0015060203	HH COLLAR SCREW M 6X20 WS=8	1
23	60036050000	CHOKE LEVER CPL. LC8 2003	1
24	0965040123	FLAT HEAD SCREW DIN0965-M 4X12	2
25	60002033000	COVER HYD.CLUTCH WITH CHOKE 03	1
26	50302034000	RUBBER FOR RESERVOIR '98	1
27	50302032000	REP.SET PISTON CLUT.HYDR. '98	1
28	50302037000	PROTECT.CAP FOR LEVER PERCH'98	1
29	59002035000	SPRING FOR CLUTCH LEVER 03	1
30	60002031000	CLUTCH LEVER LONG CPL. 2003	1
31	50302038000	LEVER SCREW CPL. 125-200 '98	1
32	60002095000	CHOKE CABLE LC8 ADVENTURE 03	1
33	60032063100	CLUTCH PIPE LC8 ADV '03	1
34	50302036200	OIL FOR HYD. CLUTCH 75ML	1

076250200 / C076250200

* NEW PART

X AS REQUIRED

FRAME, SUB FRAME

950 SUPERMOTO ORANGE EU 2007

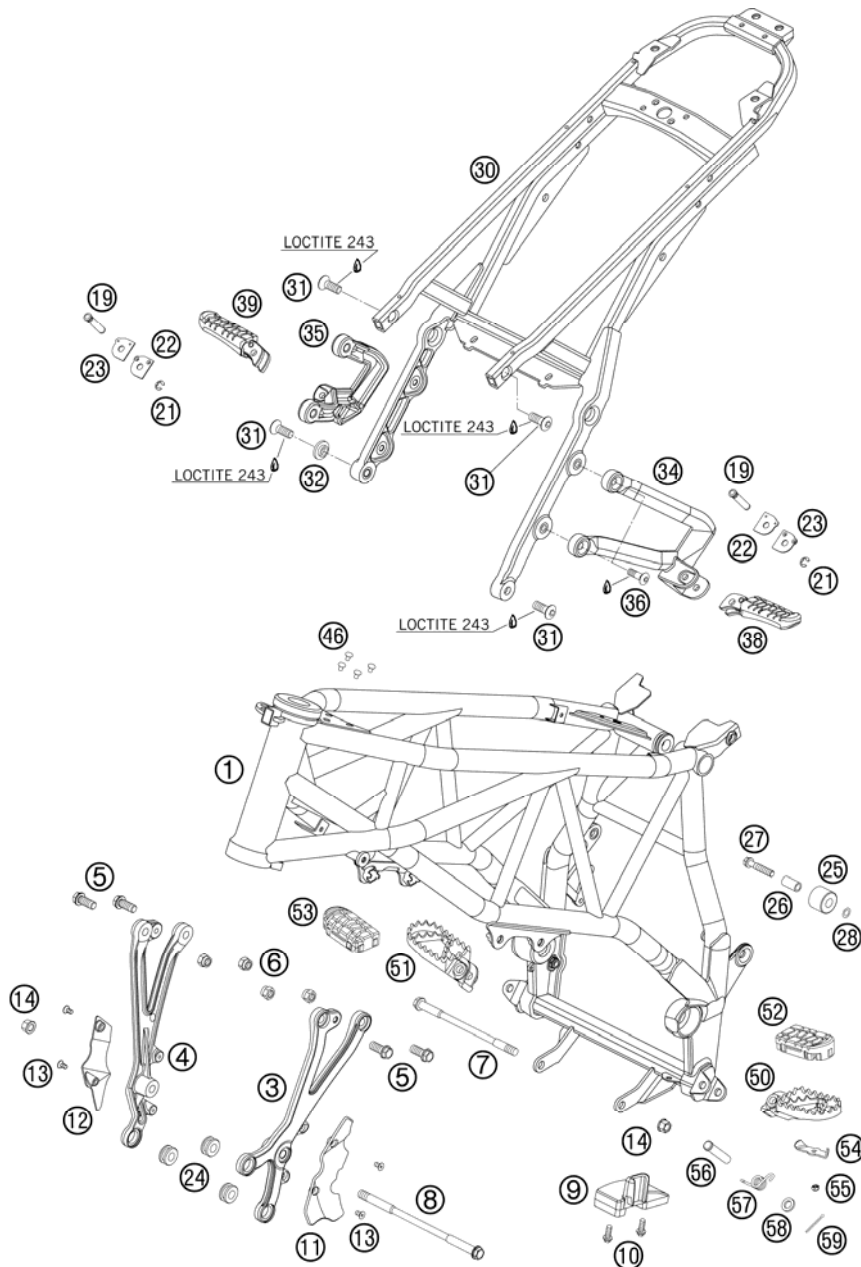


FIG	PART NUMBER	DESCRIPTION	QTY
1*	6250300110033	FRAME "FC07" MATT BLACK 07	1
3*	6250300500001S	ENGINE SUPPORT L/S 07	1
4*	6250300600001S	ENGINE SUPPORT R/S 07	1
5	0015100243	HH COLLAR SCREW M10X24 WS=13	4
6	54310086100	SELF LOCKING NUT M10 CU WS=14	4
7	60003013000	ENGINE BRAC. SCREW M10X172 03	1
8	60003014000	ENGINE BRAC. SCREW M10X206 03	1
9	60004076100	CHAIN SLIDING BLOCK 05	1
10	0017060204	EJOT PT SCREW K60X20 ALU WS=6	2
11	62503005050	COVER ENGINE SUPPORT LEFT 05	1
12	62503006050	COVER ENGINE SUPPORT RIGHT 05	1
13	0991050102	FLAT H.SCEW DIN7991-M5X10 10.9	4
14	54630044000	COLLAR NUT M10 WS=13	2
19	60003044000	BOLT FOR FOOTREST REAR 03	2
21	0799060003	TAB WASHER DIN6799-RS 6,0	2
22	60003152000	ENGAGE PANEL FOOTREST L/S 03	2
23	60003052000	ENGAGE PANEL FOOTREST R/S 03	2
24	60003098000	RUBBER SLEEVE 03	3
25	58403060000	CHAIN ROLL 12X29X22,5 '98	1
26	58403060065	BUSH CHAIN ROLL 8X12X23 '98	1
27	0015080403	HH COLLAR SCREW M 8X40 WS=10	1
28	36003014000	LOCK WASHER 8MM	1
30*	6250300200092	SUB FRAME 07	1
31	60003004027	FL.HEAD SCREW M10X1,25 L=27 03	4
32	60003001051	COLLAR BUSHING 10X15X25X4 03	1
34*	6250304800001S	FOOTREST BRACKET REAR L/S 07	1
35*	6250304900001S	FOOTREST BRACKET REAR R/S 07	1
36	54510052100	SPROCKET SCREW-AH M8X26 WS=6	4
38	60003050000	FOOTREST CPL. L/S REAR 03	1
39	60003051000	FOOTREST CPL. R/S REAR 03	1
46*	60103088000	PLUG ZK 8/5 06	4
50	59003040250	FOOT PED L/S SILVER 02	1
51	59003041250	FOOT PED R/S SILVER 02	1
52	60003040010	FOOTREST RUBBER FRONT L/S 03	1
53	60003041010	FOOTREST RUBBER FRONT R/S 03	1
54	60003044010	CLOSING PANEL FRONT L/S R/S 03	2

076250300 / C076250300

* NEW PART

X AS REQUIRED

FRAME, SUB FRAME

950 SUPERMOTO ORANGE EU 2007

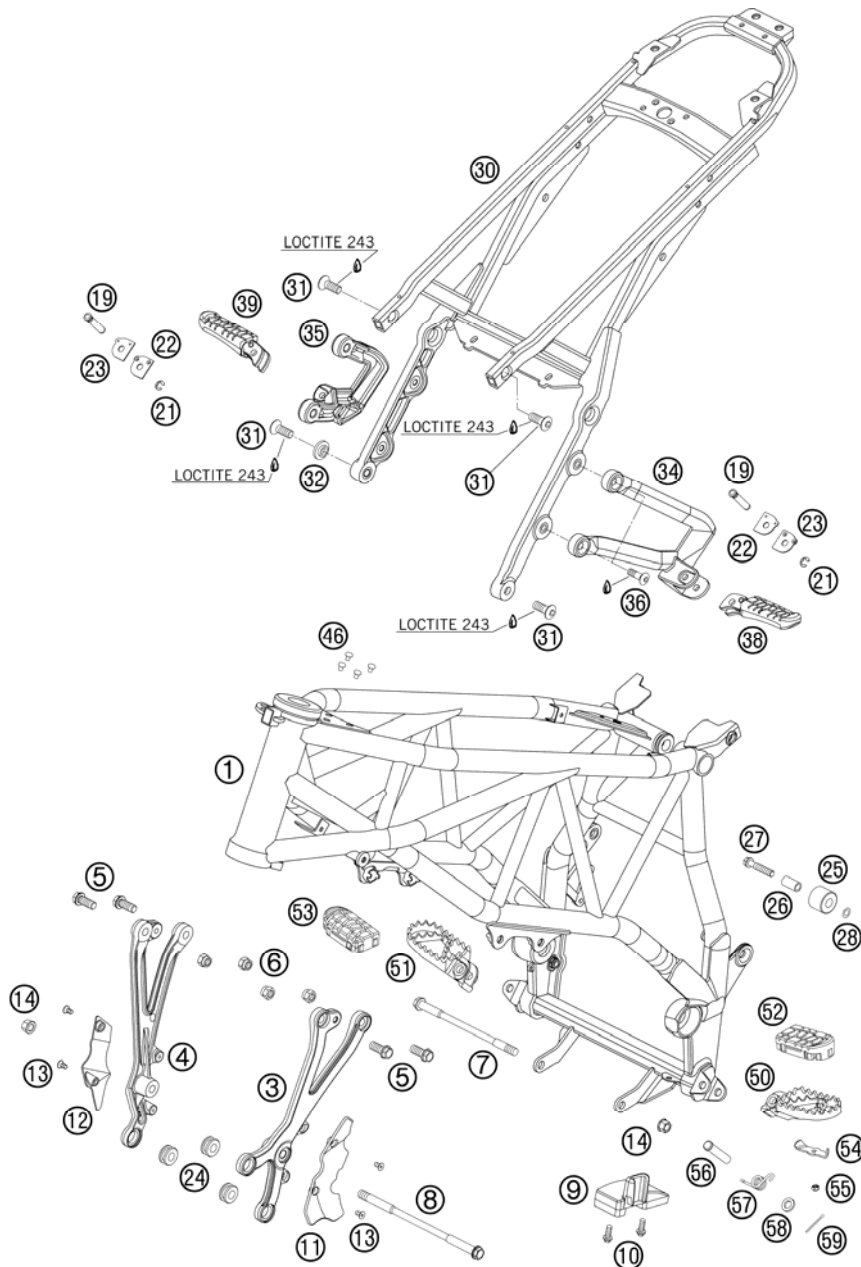


FIG	PART NUMBER	DESCRIPTION	QTY
55	0985050003	SELF LOCKING NUT DIN0985-M 5	2
56	54803044000	BOLT FOR FOOT PED 03	2
57	54603041000	FOOTREST SPRING L/S & R/S	2
58	0125100003	WASHER DIN0125-A10,5	2
59	0094032253	PIN DIN0094-3,2X25 STEEL	2

076250300 / C076250300

* NEW PART

X AS REQUIRED

SIDE STAND

950 SUPERMOTO ORANGE EU 2007

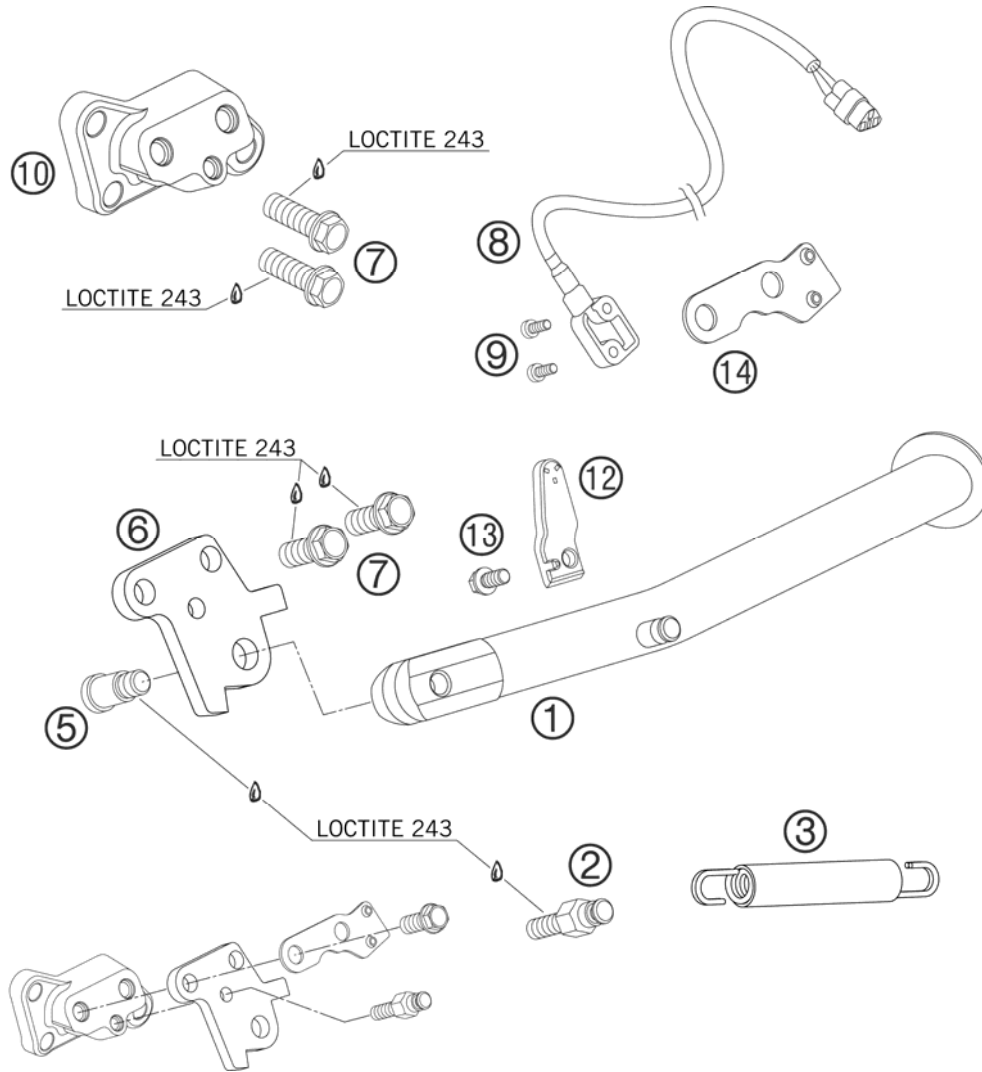


FIG	PART NUMBER	DESCRIPTION	QTY
1*	6250302300033	SIDE STAND L=236MM 07	1
2	61003028001	SCREW SIDE STAND SPRING 05	1
3	61003024000	SPRING L=116 MM 05	1
5	62503027100	SCREW F. SIDE STAND M10X31,2	1
6	62503028010	SIDE STAND PICKUP 05	1
7	0015100303	HH COLLAR SCREW M10X30 WS=13	4
8	61011045000	SIDE STAND SENSOR 05	1
9	0084040103	CYL.HEAD SCREW DIN84A M4x10	2
10	61003026000	SIDE STAND BRACKET 05	1
12	62503029050	MAGNET HOLDER 05	1
13	0015060123	HH COLLAR SCREW M 6X12 WS=8	1
14	62503029000	SUPPORT SIDE STAND SWITCH 05	1

056250301 / C076250301

* NEW PART

X AS REQUIRED

SWINGARM

950 SUPERMOTO ORANGE EU 2007

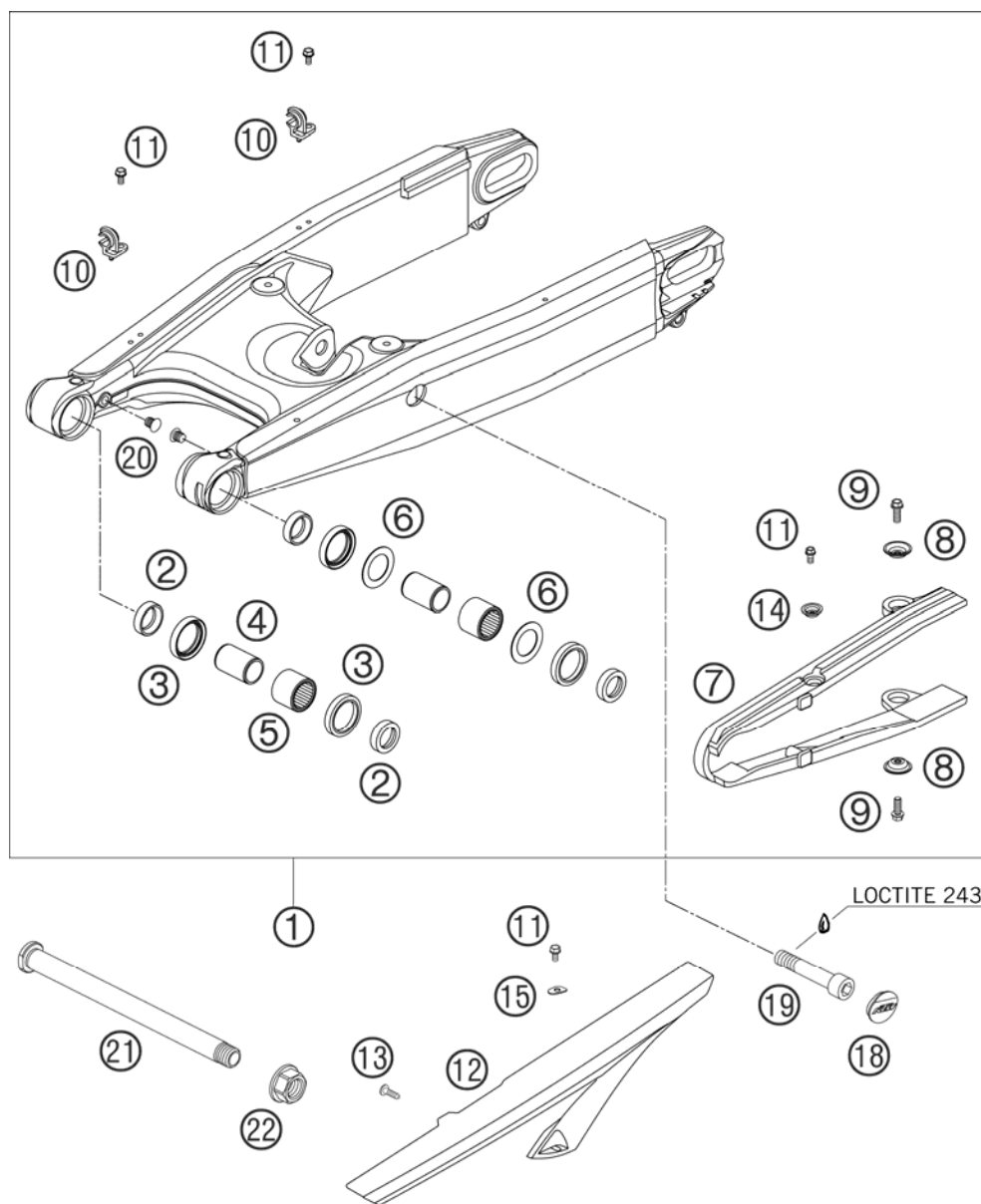
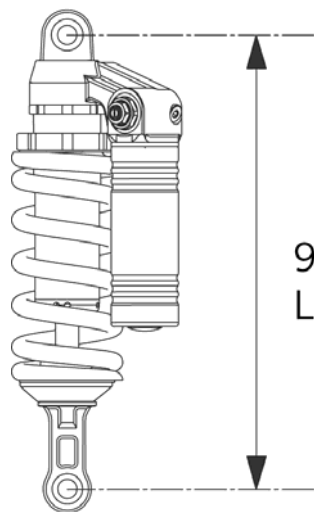
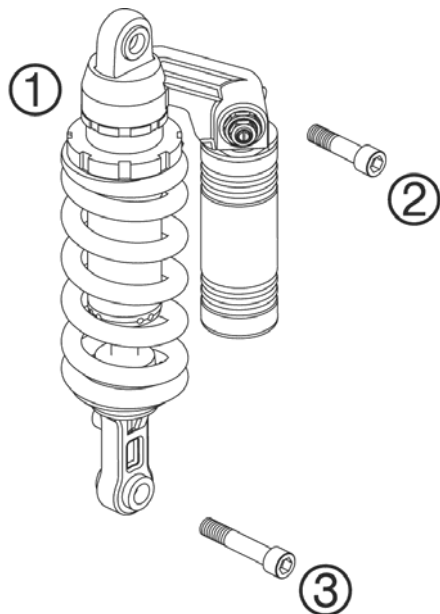


FIG	PART NUMBER	DESCRIPTION	QTY
1	61004030044	SWINGARM CPL. 990 DUKE 05	1
2	60004034000	BUCKET F. SHAFT SEAL RING 03	4
3	0760304073	SHAFT SEAL RING 30X40X7	4
4	60004032000	INNER RING JR20X25X38,5 03	2
5	60004031000	NEEDLE BUSH HK2526B 03	2
6	60004033000	STOP DISK 03	2
7	60004066100	CHAIN SLID. GUARD SWINGARM 05	1
8	72210079000	BUCKET	2
9	0015060163	HH COLLAR SCREW M 6X16 WS=8	2
10	5461107610030	RET. CLAMP F. BRAKE HOSE BLACK	2
11	0009050103	SPECIAL SCREW M 5,0X10	4
12	61004060000	CHAINGUARD 05	1
13	0081500181	SCREW FOR PLASTIC D=5X18	1
14	46104066050	BUSH FOR CHAIN SLIDER GUARD 02	1
15	61004060050	WASHER CHAINGUARD 05	1
18	60004041000	PLUG SWINGARM 03	1
19	60004017000	SCREW M14X1,5 L=73MM 03	1
20	60004042000	PLUG SFL12 GREY 05	2
21	60004037144	SWINGARM BOLT CPL. 05	1
22	60004038000	COLLAR NUT M19X1,5 WS=27MM 03	1

056250400 / C056250400

* NEW PART

X AS REQUIRED



950 SUPERMOTO
L= 375 MM

FIG	PART NUMBER	DESCRIPTION	QTY
1*	15187C03	MONOSHOCK 950 SUPERMOTO 07	1
2	60004016000	SCREW M14X1,5 L=55MM 03	1
3	60004017000	SCREW M14X1,5 L=73MM 03	1

056250402 / C076250401

* NEW PART

X AS REQUIRED

MONOSHOCK DISASSEMBLED

950 SUPERMOTO ORANGE EU 2007

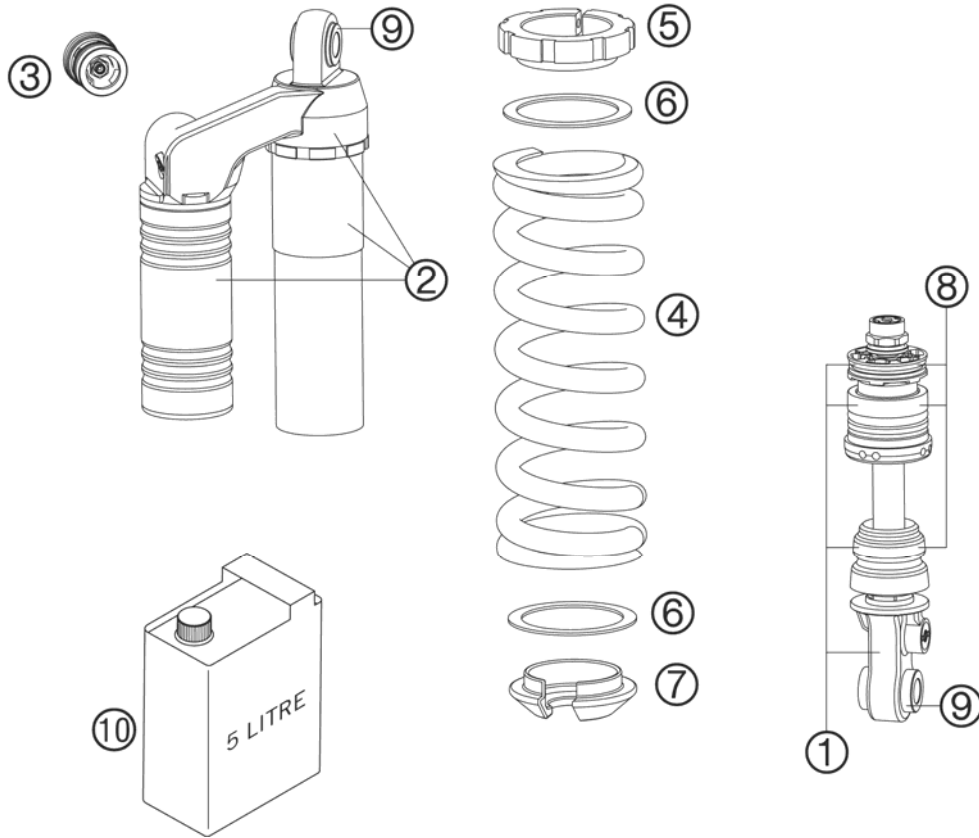


FIG	PART NUMBER	DESCRIPTION	QTY
1	46180399S1	MOUNT EYE CPL. 05	1
2	46180398S1	MONOSHOCK TOP 05	1
3	50180213S6	DCC-COMPR.DAMP.CONTROL CPL. 04	1
4	91010086S	SPRING 130-215 (59) D=13,5	1
4	91010171S	SPRING 120-215 (59) D=13,0	x
4	91010172S	SPRING 140-215 (59) D=13,75	x
5	46180394S	ADJUSTING NUT M52X1,5	1
6	50180410	INTERM.RING D=58	2
7	46180396	SPRING RETAINER H=15 D=28	1
8	R15004	REPAIR KIT GASKET 05	1
9	R15003	REPAIR KIT BEARINGS 05	1
10*	50180342S1	SHOCK ABSORBER FLUID 5 LT '03	1

056250403 / C076250403

* NEW PART

X AS REQUIRED

EXHAUST SYSTEM

950 SUPERMOTO ORANGE EU 2007

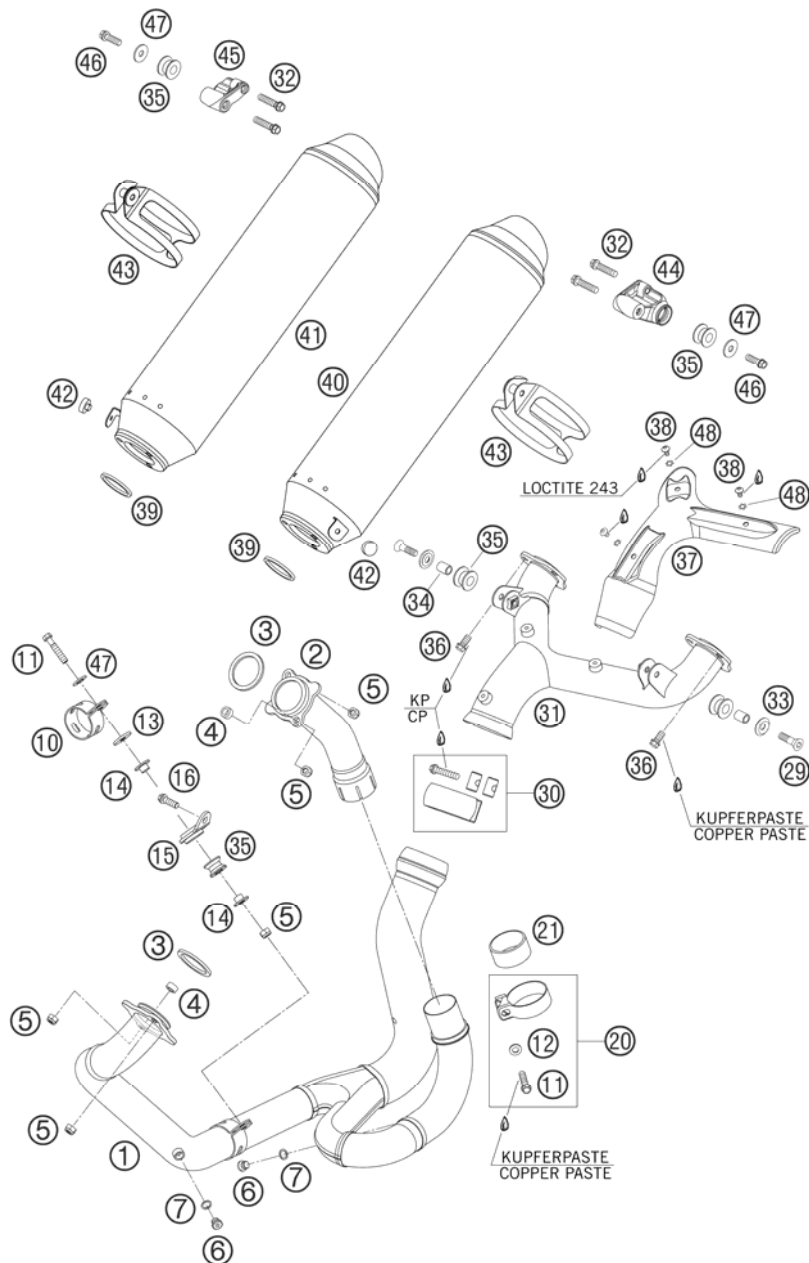


FIG	PART NUMBER	DESCRIPTION	QTY
1	62505007100	EXHAUST PIPE FRONT 05	1
2	62505008000	EXHAUST PIPE REAR 05	1
3	60005005000	GASKET 03	2
4	61005009000	SPACER BUSH. 8,5X15X7,5 05	2
5	51010086100	SELF LOCKING NUT M 8 CU	5
6	0908100000	PLUG DIN0908-M10X1 A2	2
7	0603100141	COPPER GASKET DIN7603-10X14X1	2
10	61005007049	CLAMP EXHAUST PIPE 05	1
11	0015080403	HH COLLAR SCREW M 8X40 WS=10	2
12	0125080003	WASHER DIN0125-A 8,4	1
13	51005067000	INSULATE WASHER 8,5X28X3	1
14	58405050065	COLLAR BUSH 8,5X12X23,5X10	2
15	62505015050	EXHAUST PIPE BRACKET FRONT 06	1
16	0015080353	HH COLLAR SCREW M 8X35 WS=10	1
20	61005051100	CLAMP CPL. D=53,2MM 05	1
21	58405005001	GRAPHITRING 45X50X25	1
29	0991080353	FLAT HEAD SCREW DIN7991-M 8X35	2
30	61005052000	EXHAUST CLAMP CPL. 05	1
31	62505048100	DISTRIBUTOR TUBE 05	1
32	0015080303	HH COLLAR SCREW M 8X30 WS=10	4
33	58303061100	SPECIAL WASHER ALU 8X24 MM ELO	2
34	62505069000	SPACER BUSH. 8,5X12X18MM 05	2
35	54305068100	DAMP. COMPONENT SILICONE GREY	5
36	0015080163	HH COLLAR SCREW M 8X16 WS=10	6
37	62505047000	THERMAL SHIELD 05	1
38	58605083010	SCREW TORX M5X10 05	3
39	60005005002	EXHAUST GASKET 03	2
40	62505083100	SILENCER L/S 05	1
41	62505083000	SILENCER R/S 05	1
42	54308042000	RUBBER BUFFER 05	2
43	60005095000	CLAMP FOR SILENCER CPL. 03	2
44*	6000508500001S	SILENCER/HANDLE HOLDER L/S 07	1
45*	6000508600001S	SILENCER/HANDLE HOLDER R/S 07	1
46	0015080253	HH COLLAR SCREW M 8X25 WS=10	2
47	0021080003	WASHER DIN9021-A 8,4	3
48	0797050000	TOOTH LOCK WASHER DIN6797-J	3

066250500 / C076250500

* NEW PART

X AS REQUIRED

AIR FILTER BOX

950 SUPERMOTO ORANGE EU 2007

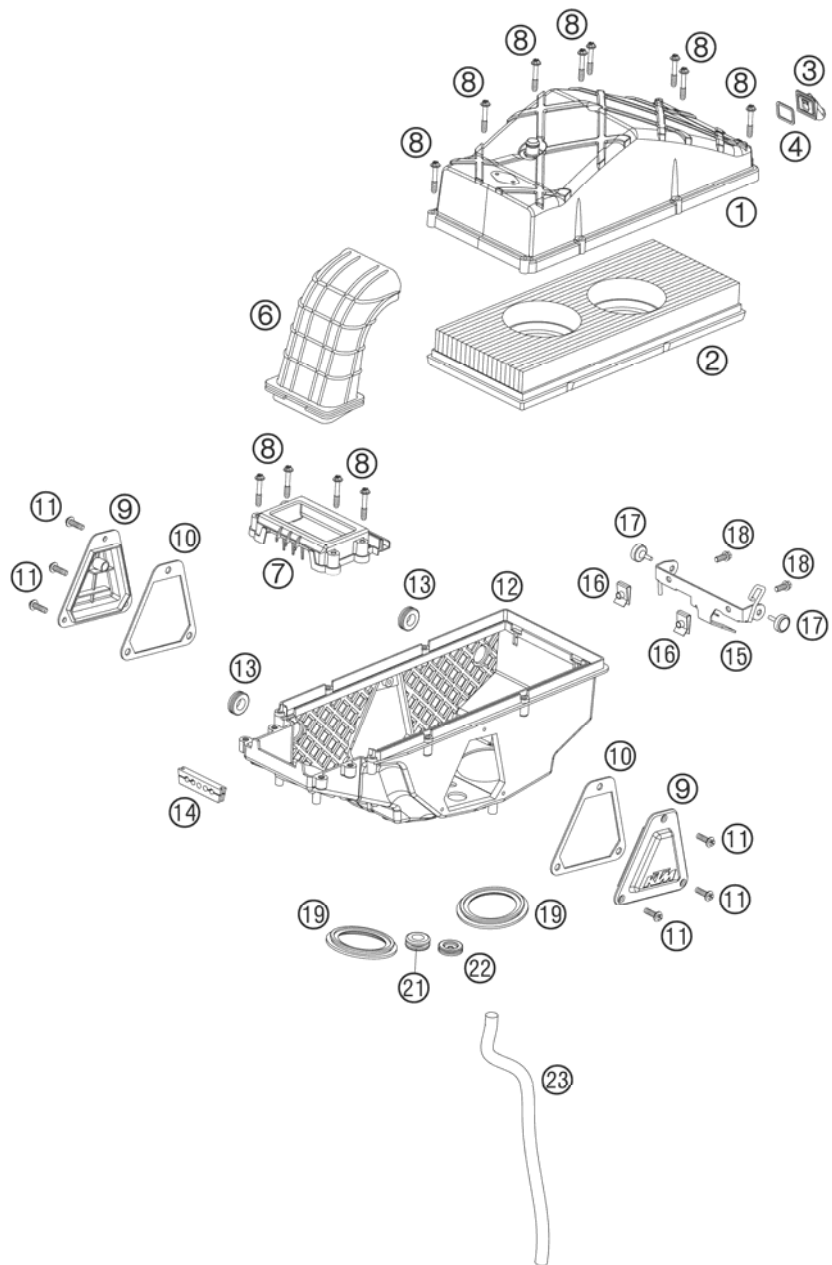


FIG	PART NUMBER	DESCRIPTION	QTY
1	60006002000	AIRBOX COVER LC8 03	1
2	60006015000	AIR FILTER LC8 03	1
3	60006007000	CONNECTOR FOR SAS LC8 03	1
4	60006007050	GASKET SAS CONNECTOR 03	1
6	60006040000	INTAKE SNORKEL 03	1
7	60006004000	AIRBOX FRONT PART LC8 03	1
8	60006006000	SPECIAL SCREW K60X35/15 03	12
9	60006003002	AIRBOX COVER L/S R/S 03	2
10	60006003050	GASKET F. AIRBOX COVER L/S R/S	2
11	0017060203	EJOT PT SCREW K60X20 WS=6	6
12	60006001000	FILTER BOX LOWER PART LC8 03	1
13	60006001040	RUBBER SLEEVE EPC HOSE	2
14	60006001030	RUBBER SLEEVE CABLE PASSAGE 03	1
15	60006001020	BRACKET PANEL SAS A. EPC 03	1
16	54603048100	RANGE CHANGE METAL NUT M6	2
17	60006001021	DISTANCE RUBBER AIRBOX 03	2
18	0015060163	HH COLLAR SCREW M 6X16 WS=8	2
19	60036045000	RUBBER SLEEVE AIRBOX 03	2
21	60006001041	RUBBER SLEEVE FUEL HOSE 03	1
22	60006001023	RUBBER SLEEVE STOP SCREW	1
23	57005020001	HOSE 10X14 PER METER	x

05600060 / C056250600

* NEW PART

X AS REQUIRED

TANK, SEAT, COVER

950 SUPERMOTO ORANGE EU 2007

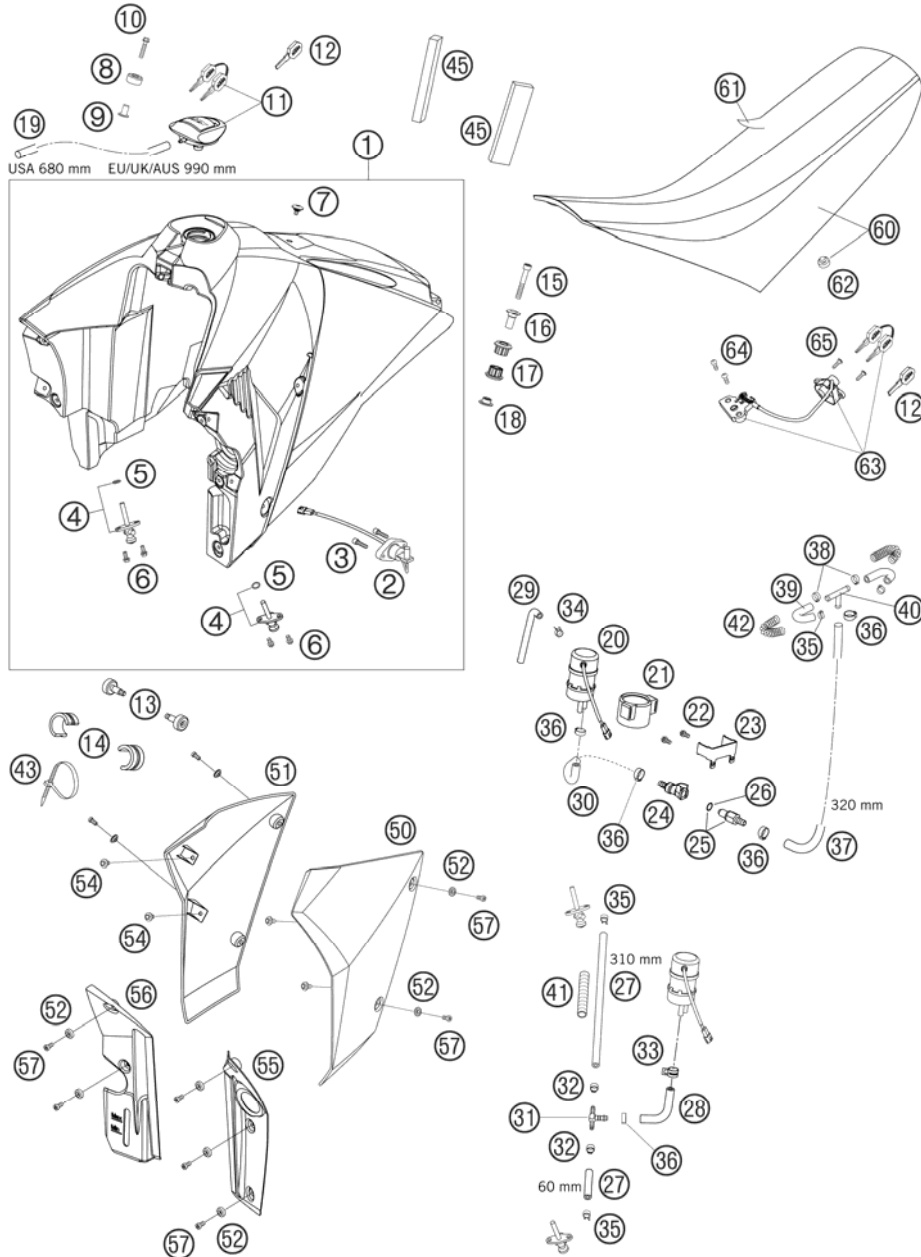


FIG	PART NUMBER	DESCRIPTION	QTY
1*	6250701303333A	FUEL TANK CPL. BLACK/ORANGE 07 WITH DECAL	1
2	58207080100	GAS-LEVEL SENSOR ADV. 2006	1
3	0912050163	AH SCREW DIN0912-M 5X16	2
4	58507003000	FUEL COCK CPL. SMALL RALLYE'96	2
5	55007006200	O-RING 11X1,8 NBR 70	2
6	0015060163	HH COLLAR SCREW M 6X16 WS=8	4
7	58407011100	SCREW FOR SEAT M6X11,5/8	1
8	50307014000	TANK ROLLER 12X26X12 '98	1
9	62503009000	COLLAR BUSHING 9,5X18X19,8X1,5	1
10	0015060303	HH COLLAR SCREW M 6X30 WS=8	1
11	58407008100	TANK PLUG LC4 USA '99	1
12	40011166100	KEY BLANK LC4/DUKE/LC8	1
13	62507026100	SPECIAL SCREW M8 06	2
14	61007014000	SPACER FUEL TANK 05	2
15	0912080503	AH SCREW DIN912 M8X50	1
16	60007060000	BEARING BUSHING OUTSIDE 03	1
17	60007065000	TANK RUBBER BUSHING 03	2
18	62507061000	BEARING BUSHING INSIDE 05	1
19	60007026001	HOSE NBR 5,4X9,4 PER METER	1
20	60012088100	FUEL PUMP 04	1
21	60012088050	FUEL PUMP HOLDER 03	1
22	0015060103	HH COLLAR SCREW M 6X10 WS=8	2
23	62512071000	SUPPORT FUEL PUMP 05	1
24	5850701050030	CLUTCH CPC BLACK 05	1
25	5850701030030	PLUG CPC BLACK 05	1
26	58507012000	O-RING VITON F. PLUG CPC 05	1
27	60007116001	HOSE 6X12 PER METER	x
28	62507016070	FUEL HOSE 05	1
29	50307016000	FUEL PREFORMED HOSE SX 2001	1
30	62507016060	FUEL HOSE 05	1
31	60007015100	T-CONNECTOR 6-6-8 MM 05	1
32*	58007117200	OETIKER HOSE CLAMP 13,3MM	2
33	00049140121	CLAMP STD DN14	1
34	58007117000	YDNAC-CLAMP 10107 10MM	1
35	58031005000	CLAMP YDNAC 10128 12MM	4

056250700 / C076250700

* NEW PART

X AS REQUIRED

TANK, SEAT, COVER

950 SUPERMOTO ORANGE EU 2007

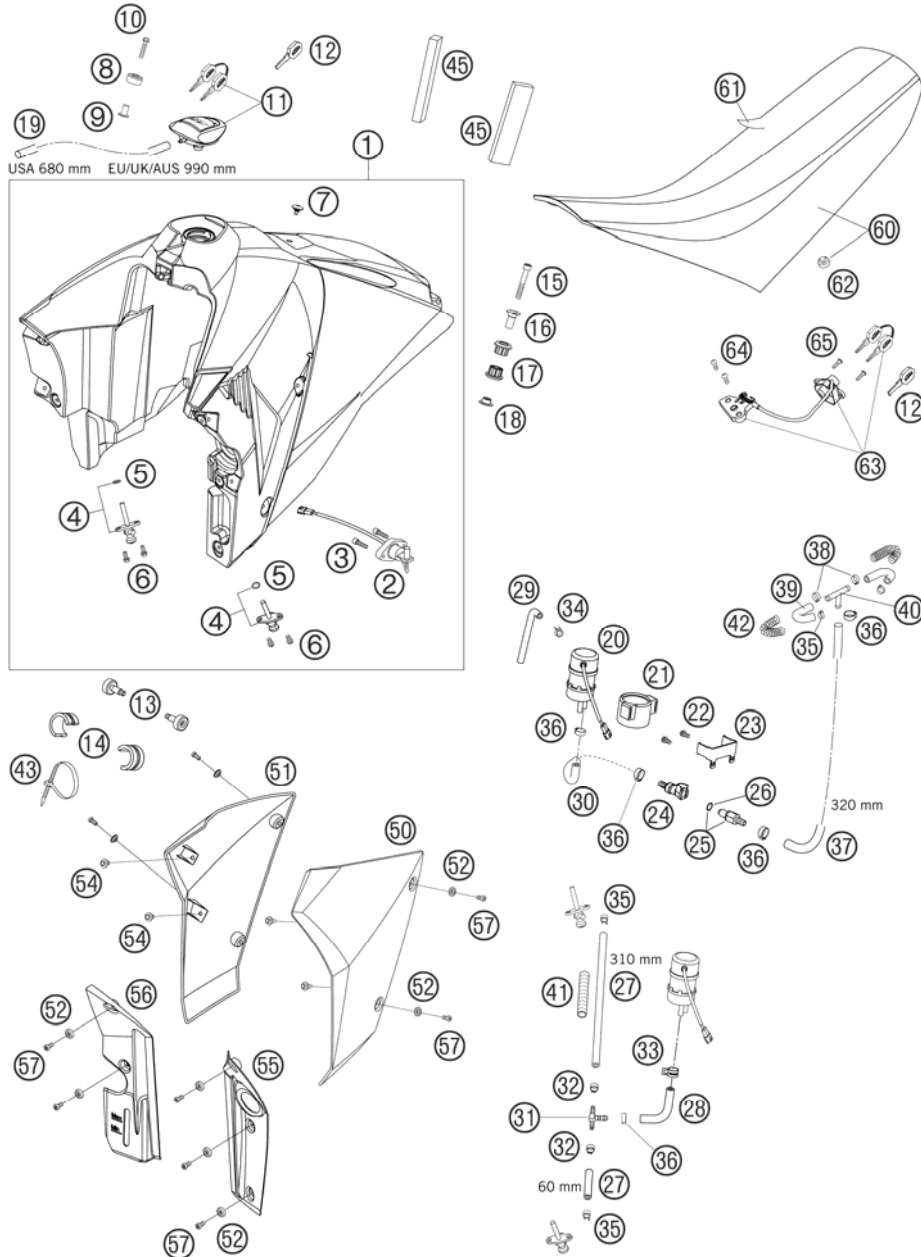


FIG	PART NUMBER	DESCRIPTION	QTY
36	00050153706	VARIABLE ONE-EAR CLAMP 15,3MM	5
37	60007016001	HOSE 7,5X13,5 PER METER	x
38	00050140706	VARIABLE ONE-EAR CLAMP 14,0MM	2
39	60007016000	FUEL PREFORMED HOSE 03	2
40	60007015000	T-CONNECTOR 8MM 03	1
41	62507016050	THERMAL PROTECTION L=105MM 05	1
42	60007016050	PROTECTION SPRING FUEL HOSE	2
43	44011076200	CABLE TIE 200/3,6MM BLACK	x
45	62507033000	FOAM 150X35X15 06	2
50*	6250805000004B	SPOILER L/S ORANGE 07 WITH DECAL	1
51*	6250805100004B	SPOILER R/S ORANGE 07 WITH DECAL	1
52	60008045000	SPECIAL WASHER D=16,5MM 03	9
54	0014060103	HH COLLAR SCREW M 6X10 WS=8	4
55	62508070000	COVER FUEL TANK L/S 05	1
56	62508071000	COVER FUEL TANK R/S 05	1
57	0012060123	AH SCREW DIN6912 M6X12	9
60	62507040000	SEAT 05	1
61	62507040050	SEAT COVER 05	1
62	61007040010	DISTANCE RUBBER SEAT 05	4
63	62507050000	SEAT LOCK 05	1
64	0738060181	COU.SUNK SCR. AH ISO7380 M6X18	2
65	0081500181	SCREW FOR PLASTIC D=5X18	2

056250700 / C076250700

* NEW PART

X AS REQUIRED

MASK, FENDERS

950 SUPERMOTO ORANGE EU 2007

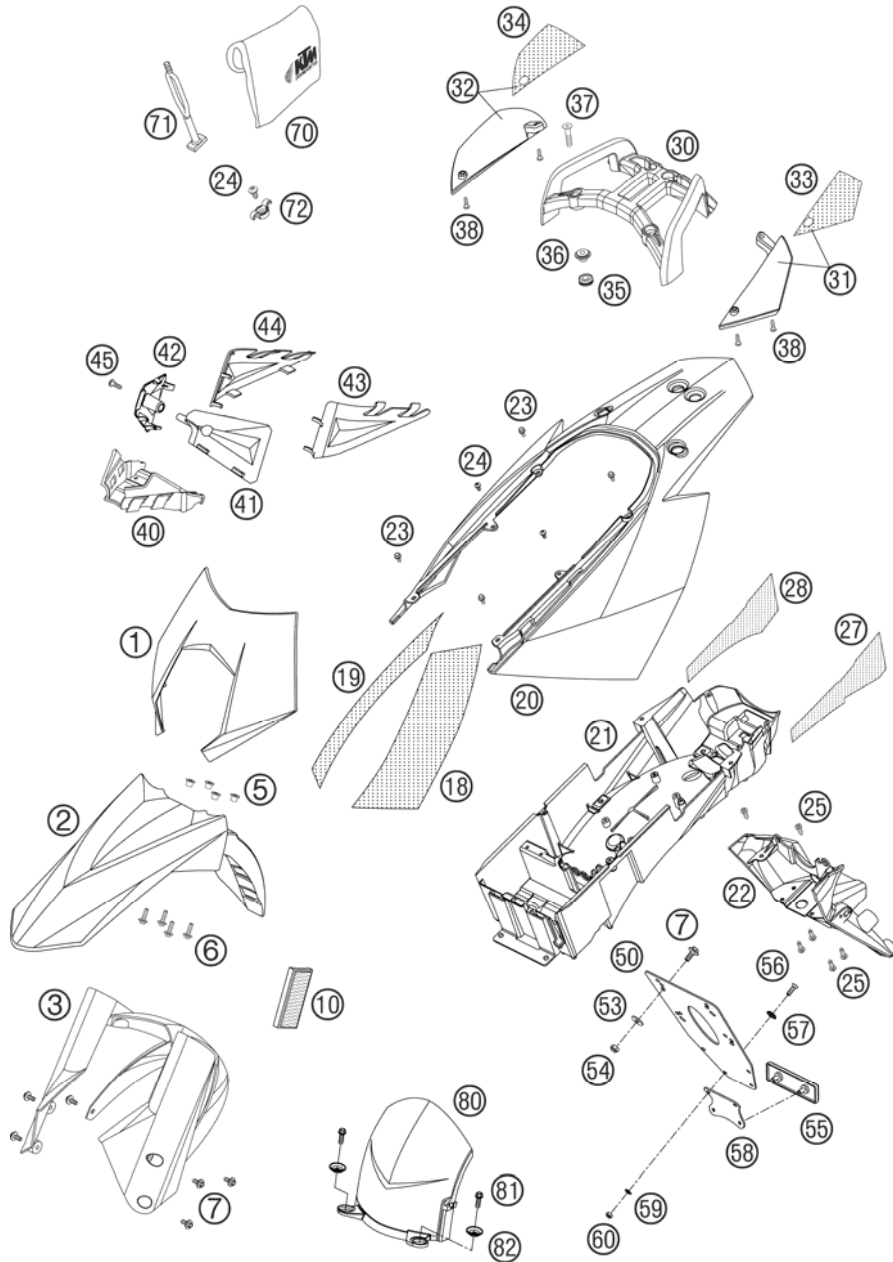


FIG	PART NUMBER	DESCRIPTION	QTY
1	5860800100004	HEAD LIGHT MASK ORANGE 05	1
2	6250801000004	FENDER FRONT ORANGE 05	1
3	62501094000	SPLASH PROTECT. 05	1
5	62508009000	COLLAR BUSHING 7,2X10X15X8,5	4
6	0014060203	HH COLLAR SCREW M 6X20 WS=8	4
7	0014060153	HH COLLAR SCREW M 6X15 WS=8	10
10	60012080000	SIDE REFLECTOR YELLOW 03 USA+AUS+UK ONLY	x
18*	62508018150	THERM. PROT.FOIL L/S ABOVE 07	1
19*	62508018160	THERM.PROT.FOIL R/S ABOVE 07	1
20*	6250801800004B	REAR END TOP PART ORANGE 07 WITH DECAL	1
21	62508019200	REAR END LOWER PART 06	1
22	62508015000	NUMB.PLATE CARRIER 05	1
23	0015050123	HH COLLAR SCREW M 5X12 WS=8	4
24	0016050121	SCREW FOR PLASTIC 50X12	3
25	0017060203	EJOT PT SCREW K60X20 WS=6	6
27*	62508019250	THERMAL PROTECTON FOIL L/S 07	1
28*	62508019360	THERMAL PROTECTON FOIL R/S 07	1
30	62512010000	BAGGAGE RACK 05	1
31	62512008000	COVER SILENCER L/S 05	1
32	62512009000	COVER SILENCER R/S 05	1
33*	62512008150	THERMAL PROTECTON FOIL 07	1
34*	62512009150	THERMAL PROTECTON FOIL R/S 07	1
35	41001052000	RUBBER SLEEVE D=12MM	4
36	60012008003	COLLAR BUSHING 8,2X12X28X9 03	4
37	0991080403	FLAT HEAD SCREW DIN7991-M 8X40	4
38	0081500181	SCREW FOR PLASTIC D=5X18	4
40	60003087000	SPLASH PROTECTOR FRAME 05	1
41	62503085000	COVER FRAME L/S FRONT 05	1
42	62503086000	COVER FRAME R/S FRONT 05	1
43	62503083000	COVER FRAME L/S REAR 05	1
44	62503084000	COVER FRAME R/S REAR 05	1
45	0081500181	SCREW FOR PLASTIC D=5X18	1
50*	60012081200	LICENCE FITTING 06	1
53	0021060003	WASHER DIN9021-A 6,4	4

066250800 / C076250800

* NEW PART

X AS REQUIRED

MASK, FENDERS

950 SUPERMOTO ORANGE EU 2007

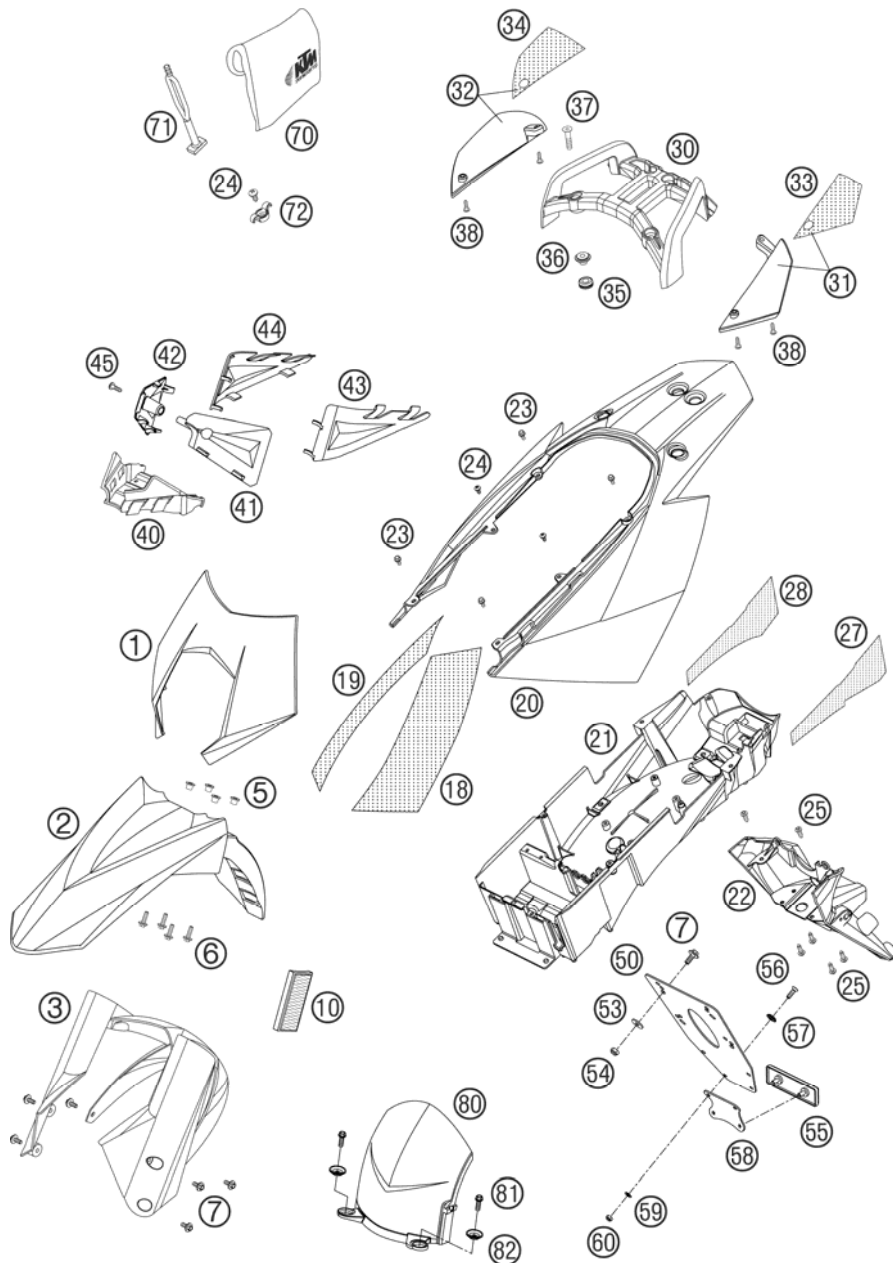


FIG	PART NUMBER	DESCRIPTION	QTY
54	0985060003	SELF LOCK. NUT DIN0985-M 6	4
55	58412080000	REFLECTOR RED LC4 '98	1
56	0966050163	OVAL HEAD SCREW DIN0966-M 5X16	2
57	40006006000	WASHER 6MM	2
58	58412080050	BRACKET FOR REFLECTOR	1
59	0125050003	WASHER DIN0125-A 5,3	2
60	0985050003	SELF LOCKING NUT DIN0985-M 5	2
70	61029099000	TOOL SET 950/990 05	1
71	50303018000	RUBBER L=145MM	1
72	62508021000	SUPPORT TOOL SET 05	1
80	61008014000	SPLASH PROTECT. 05	1
81	0015060163	HH COLLAR SCREW M 6X16 WS=8	2
82	72210079000	BUCKET	2

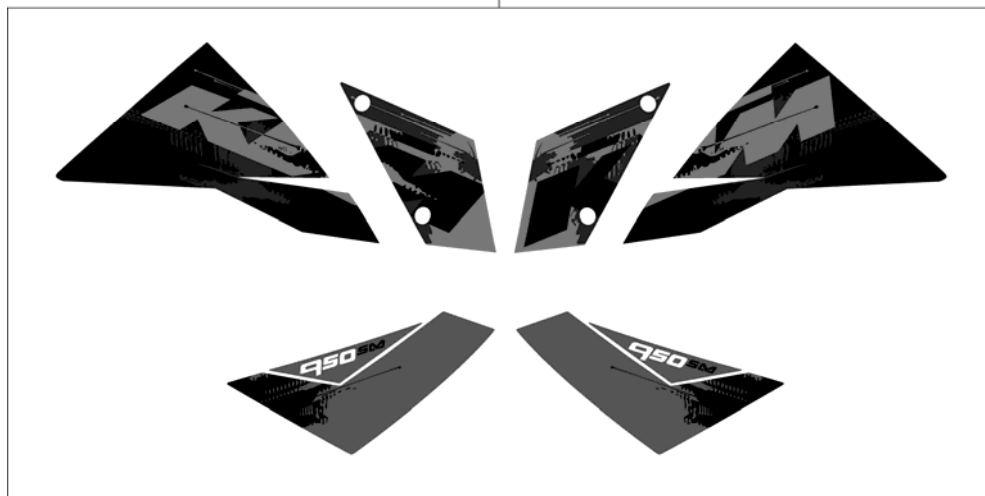
066250800 / C076250800

* NEW PART

X AS REQUIRED

FIG	PART NUMBER	DESCRIPTION	QTY
1*	62508099200	DECAL SET ORANGE 950 SM 07	1

①



076250801 / C076250801

* NEW PART

X AS REQUIRED

FRONT WHEEL

950 SUPERMOTO ORANGE EU 2007

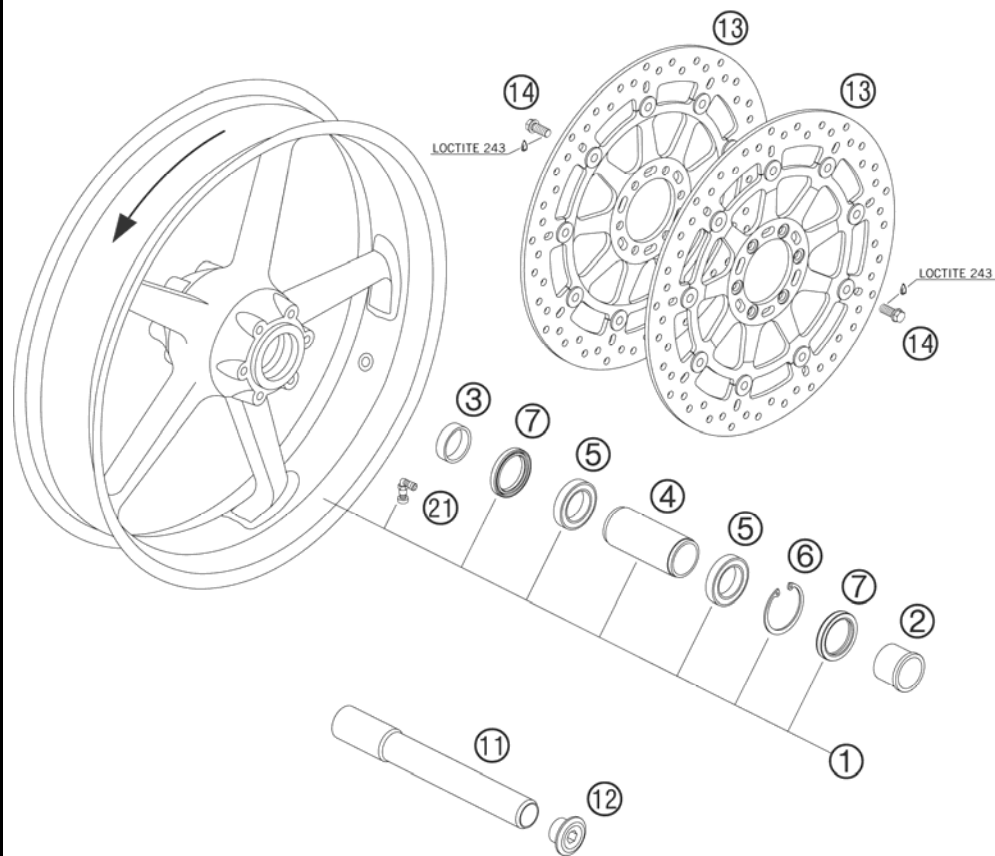


FIG	PART NUMBER	DESCRIPTION	QTY
1*	6100900104430	FRONT WHEEL CPL. BLACK 07	1
2	61009012000	SPACER BUSH. FR. WHEEL L/S 05	1
3	60009013000	SPACER BUSH. FR. WHEEL R/S 03	1
4	61009011000	BEARING SPACER TUBE FRONT 05	1
5	0625069068	GR.BALL BEAR.6906 DDU2CG23S6NM	2
6	0472048175	LOCK RING DINO472-48X1,75	1
7	0760354771	SHAFT SEAL RING 35X47X7 TC	2
11	61009081000	WHEEL SPINDEL FRONT 05	1
12	61009082000	AH SCREW M25X1,5 WS=12 05	1
13	62509060000	BRAKE DISK D=305MM 05	2
14	61009062018	SPECIAL SCREW M8X18 05	12
21	61009076000	VALVE ANGLED 90° 05	1

05610091 / C076250900

* NEW PART

X AS REQUIRED

REAR WHEEL

950 SUPERMOTO ORANGE EU 2007

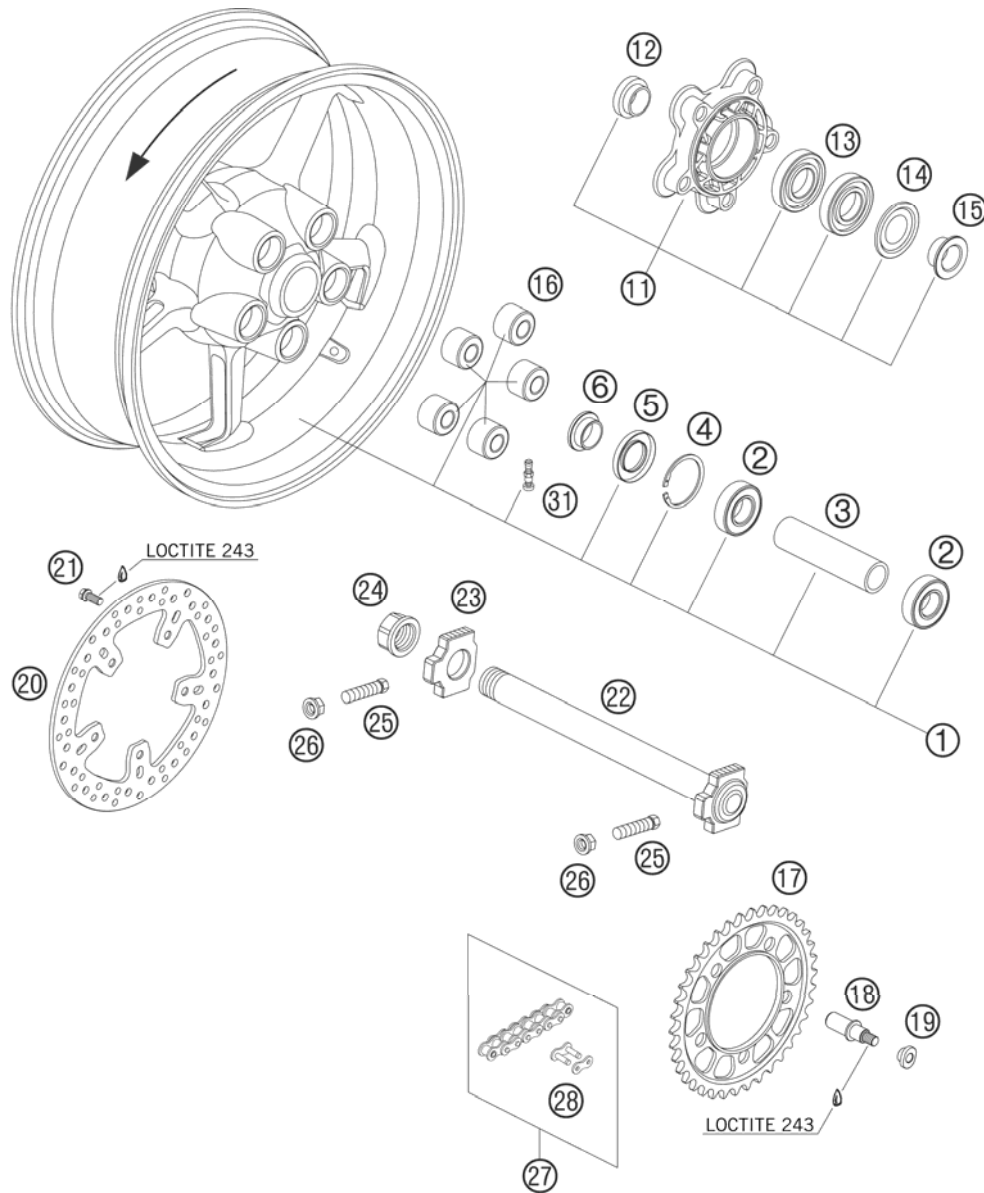


FIG	PART NUMBER	DESCRIPTION	QTY
1*	6101000104430	REAR WHEEL CPL. BLACK 07	1
2	0625062052	GR.BALL BEAR. 6205-2RSHC3HMTF7	2
3	61010011000	BEARING SPACER TUBE REAR 05	1
4	0472052200	CIRCLIP DIN0472-52X2	1
5	0760305271	SHAFT SEAL RING 30X52X7	1
6	60010013000	SPACER BUSH. REAR WHEEL R/S 03	1
11	61010050144	SPROCKET SUPPORT CPL. 06	1
12	60110014000	SPACER BUSH. SPR. SUPP. IN. 06	1
13	0625060060	BALL BEARING 6006 DDU2CG23S6NM	2
14	60110016000	NILOS RING 6006AV	1
15	60110012000	SPACER BUSH. SPROCKET SUPP. 06	1
16	61010059000	DAMPING RUBBER 05	5
17	61010051138	REAR SPROCKET 38-T STEEL 05	x
17	61010051139	REAR SPROCKET 39-T STEEL 05	x
17	61010051140	REAR SPROCKET 40-T STEEL 05	x
17	61010051141	REAR SPROCKET 41-T STEEL 05	1
17	61010051142	REAR SPROCKET 42-T STEEL 05	x
18	61010056000	BOLT FOR SPROCKET SUPPORT 05	5
19	61010057000	NUT REAR SPROCKET 05	5
20	61010060000	BRAKE DISK REAR D=240MM 05	1
21	61009062018	SPECIAL SCREW M8X18 05	5
22	60010081044	WHEEL SPINDLE REAR CPL. 03	1
23	60010084000	CHAIN TENSIONER R/S LC8 03	1
24	61010086000	COLLAR NUT M25X1,5 WS=32 05	1
25	50304040100	SCREW M10X1,25X50 WS=10	2
26	58414030000	HH COLLAR NUT M10X1,25 WS=13	2
27	60010165118	CHAIN 525 WITH MASTER LINK 03	1
		CUT TO 112 CHAIN LINKS	
28	60010066000	MASTER LINK FOR CHAIN 525 03	x
		NEEDS RIVET TOOL	
31	58709076000	VALVE CPL. BREMBO DUKE 2003	1

066101001 / C076251000

* NEW PART

X AS REQUIRED

WIRING HARNESS

950 SUPERMOTO ORANGE EU 2007

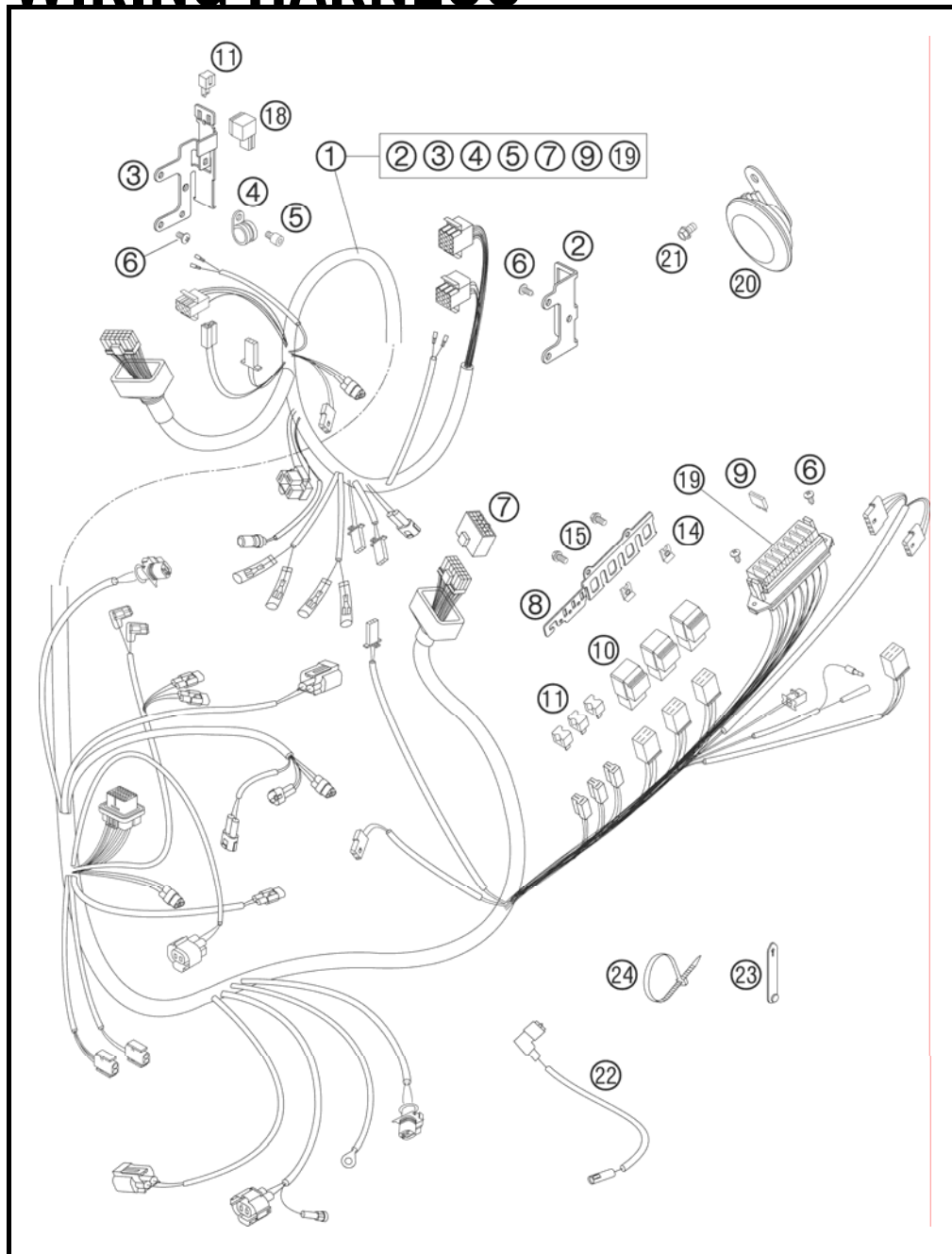


FIG	PART NUMBER	DESCRIPTION	QTY
1	62511075000	MAIN WIRING HARNESS	05
2	58611083000	SUPPORT BRACKET L/S	05
3	58611183000	SUPPORT BRACKET R/S	05
4	49007439000	CLAMP RSGU 15/12	1
5	0912050103	AH SCREW DIN0912-M 5X10	1
6	0016050121	SCREW FOR PLASTIC 50X12	8
7	61011075020	DUMMY PLUG ALARM SYSTEM	05
8	62511057050	BRACKET RELAY	05
9	58011109110	FUSE 10 A	2000
9	58011109115	FUSE 15 A	
10	58411057000	STARTER RELAY '96	
11	58411096100	DIODE S3H-15	97
14	54603048200	RANGE CHANGE METAL NUT M5	
15	0015050123	HH COLLAR SCREW M 5X12 WS=8	
18	44611207200	FLASHER UNIT	97
19	58511075510	FUSE-BOX COVER	
20	62511060000	DC HORN	05
21	0014060103	HH COLLAR SCREW M 6X10 WS=8	
22	60011092000	OIL-PRESSURE SWITCH CABLE	03
23	60011093045	RUBBER CABLE TIE 45MM	03
23	60011093075	RUBBER CABLE TIE 75MM	03
24	44011076100	CABLE TIE 100/2,5MM BLACK	
24	44011076200	CABLE TIE 200/3,6MM BLACK	

056251100 / C056251100

* NEW PART

X AS REQUIRED

BATTERY

950 SUPERMOTO ORANGE EU 2007

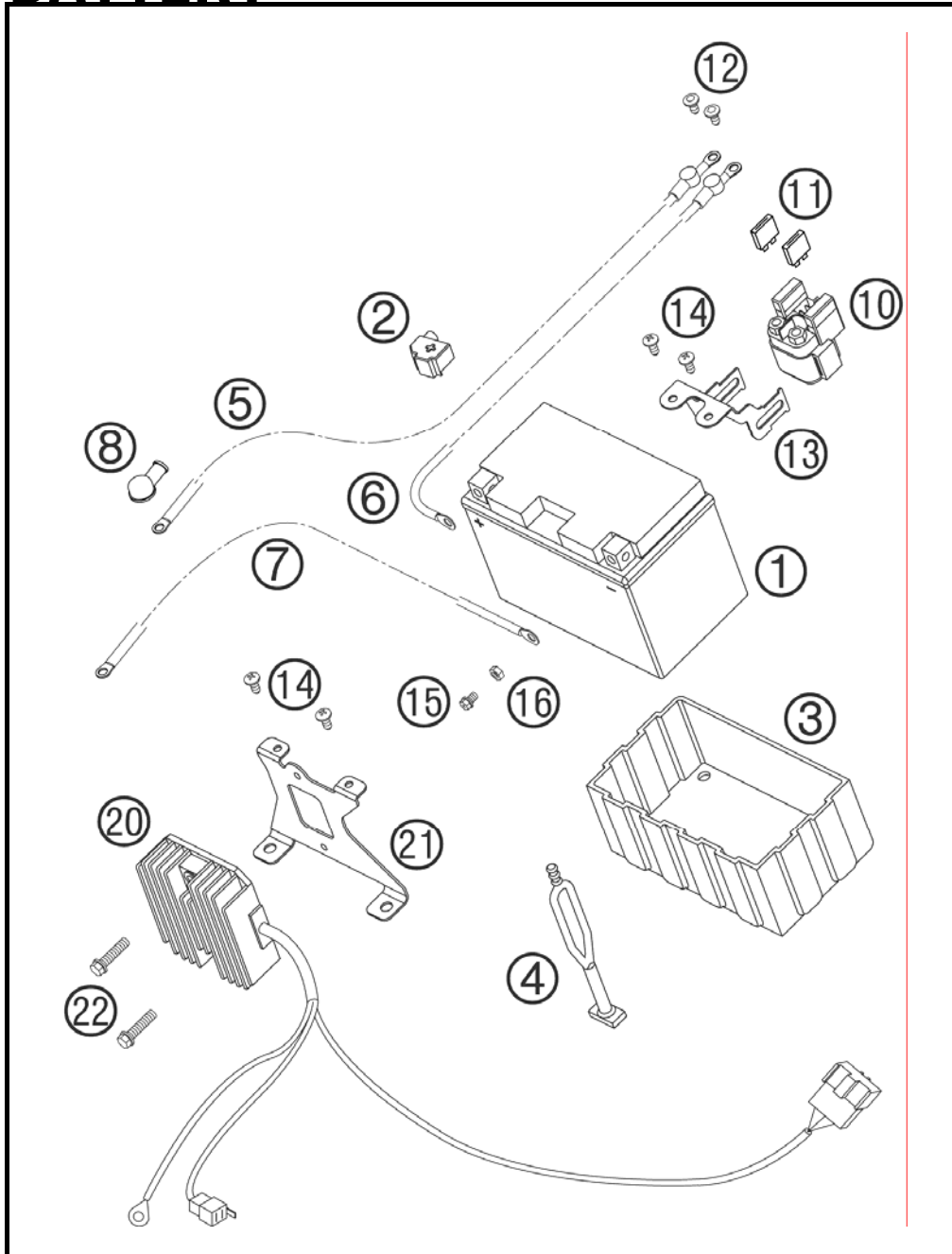


FIG	PART NUMBER	DESCRIPTION	QTY
1	60011053000	BATTERY 12V/11AH	03
2	62511059160	COVER POSITIVE POLE	06
3	58411053050	BATTERY COVER	96
4	50303018000	RUBBER L=145MM	
5	62511059000	STARTER CABLE L=650MM	05
6	62511059050	BATTERY CABLE L=125MM	05
7	62511097000	GROUND CABLE L=650MM	05
8	60040009000	RUBBER CAP STARTER PORT	03
10	58211058000	STARTER RELAY 12V '99	
11	58011109130	FUSE 30 A	x
12	0902060083	AH OVAL SCREW ISO 7380 M 6X8	2
13	62511058050	BRACKET START RELAY	05
14	0016050121	SCREW FOR PLASTIC 50X12	4
15	0014060103	HH COLLAR SCREW M 6X10 WS=8	2
16	0934060003	HEXAGON NUT DIN0934-M 6	2
20	62511034000	VOLTAGE REGULATOR	05
21	62511037000	BRACKET VOLTAGE REGULATOR	05
22	0014060253	HH COLLAR SCREW M 6X25 WS=8	2

066251101 / C076251101

* NEW PART

X AS REQUIRED

HAND BRAKE CYLINDER

950 SUPERMOTO ORANGE EU 2007

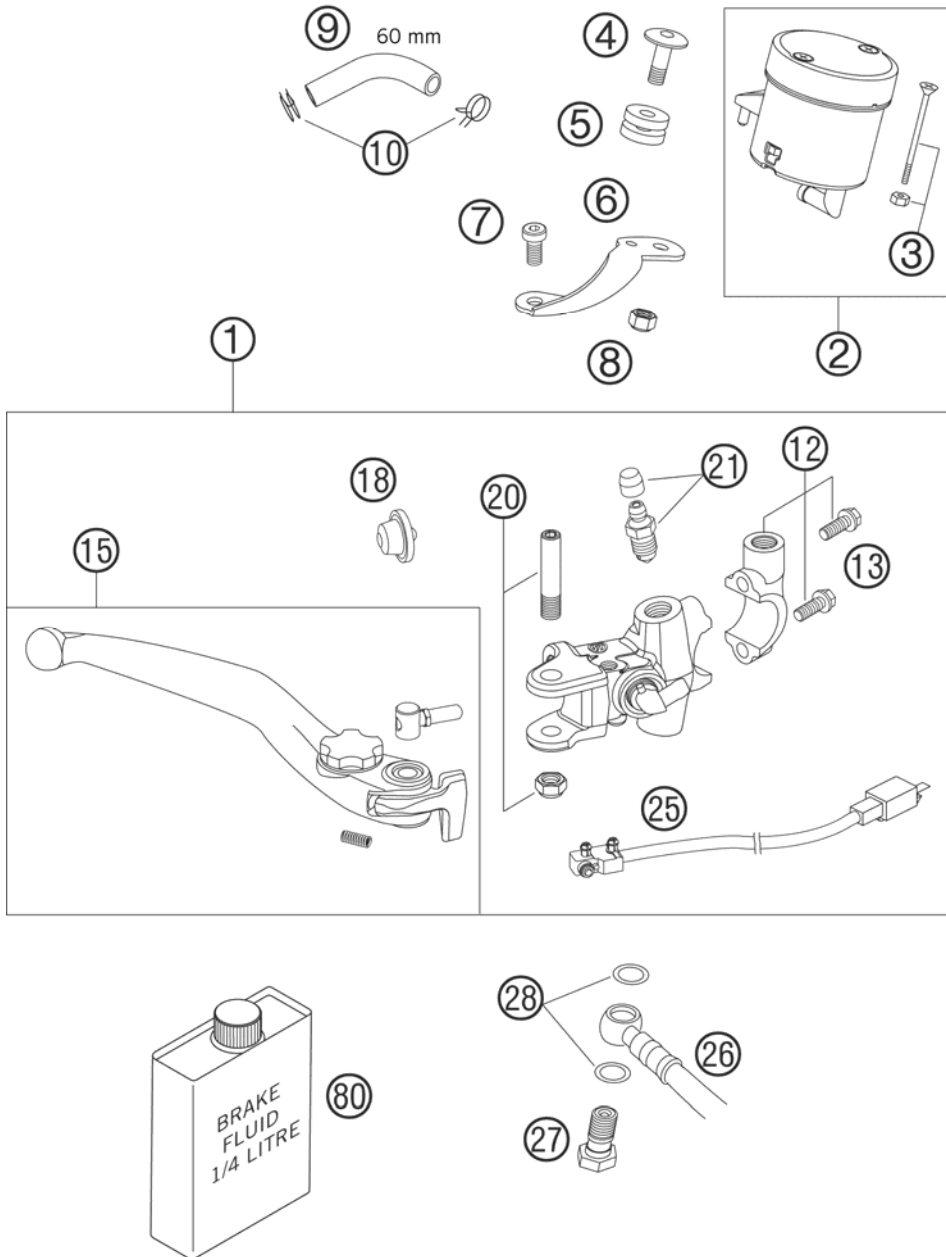


FIG	PART NUMBER	DESCRIPTION	QTY
1*	62513001100	HAND BRAKE CYLINDER 07	1
2	61013009002	BRAKE FLUID RESERVOIR CPL.	1
3	61013009003	SCREW + NUT FOR RESERVOIR	2
4	61013013050	SCREW RET.PANEL-RESERVOIR	1
5	61013013000	RUBBER BUSH 05	1
6	61013009001	RET.PANEL FLUID RES. FRONT 05	1
7	61013021000	SCREW RET.PANEL-BRAKE CYLINDER	1
8	61013009004	NUT FOR RESERVOIR	1
9	58007016101	HOSE FOR RESERVOIR 6X1,5	1
10	58007017000	YDNAC CLAMP 10101 (9MM)	2
12	61013005000	CLAMP CPL. 05	1
13	0015060253	HH COLLAR SCREW M 6X25 WS=8	2
15*	62513002144	HAND BRAKE LEVER CPL. 07	1
18	61013008000	RUBBER CUP 05	1
20	61013006000	LEVER SCREW CPL. 05	1
21	60013020000	BLEEDER SCREW WITH CAP	1
25	61011050000	BRAKE LIGHT SWITCH FRONT 05	1
26	62513012000	BRAKE PIPE FRONT CPL. 05	1
27	50213025000	HOLLOW SCREW M10X1X19	1
28*	0603100141	COPPER GASKET DIN7603-10X14X1	2
80*	00062030000	BRAKE FLUID DOT 5.1	1

056251300 / C076251300

* NEW PART

X AS REQUIRED

REAR BRAKE CONTROL

950 SUPERMOTO ORANGE EU 2007

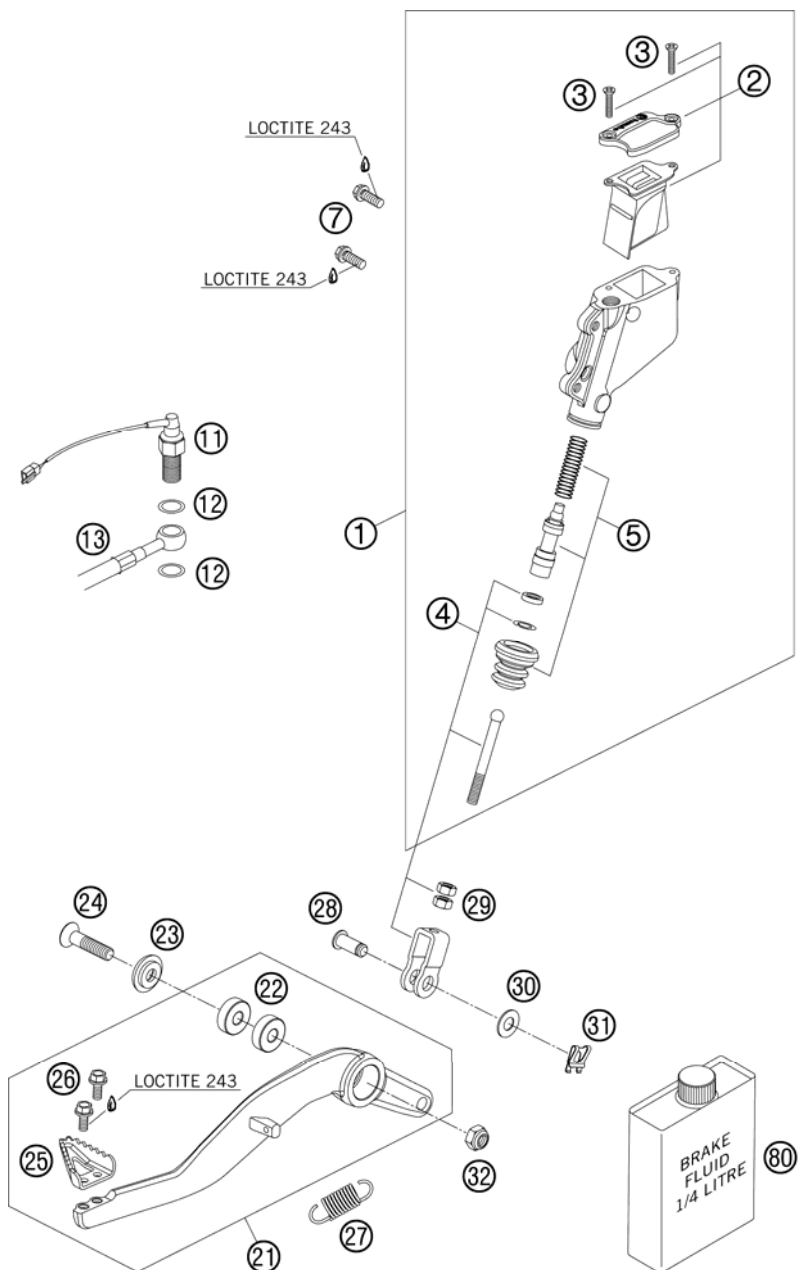


FIG	PART NUMBER	DESCRIPTION	QTY
1*	60013060200	MAIN BRAKE CYLINDER CPL. 07	1
2*	60013059100	COVER MAIN BRAKE CYLINDER CPL.	1
3	0965040161	FLAT HEAD SCREW DIN0965-M 4X16	2
4	60013056044	PUSH ROD CPL. '03	1
5	60013061000	REPAIR KIT PISTON 03	1
7	59009062016	SPECIAL SCREW M6X16 WS=8 10.9	2
11	50311051100	BRAKE LIGHT SWITCH REAR '98	1
12*	0603100141	COPPER GASKET DIN7603-10X14X1	2
13	62513072000	BRAKE HOSE REAR 05	1
21*	6251305004401S	FOOT BRAKE LEVER CPL. 07	1
22	0625006087	GROOVED BALL BEAR. 608 2RS C3	2
23	60003061000	SPECIAL WASHER ALU 8X24MM 03	1
24	0991080353	FLAT HEAD SCREW DIN7991-M 8X35	1
25	54813051100	STEP PLATE FOR BRAKE LEVER	1
26	58605083010	SCREW TORX M5X10 05	2
27	54603062000	RETURN SPRING FOR BRAKE LEVER	1
28	60013057000	BOLT F. LINK FORK 8X20X16,5	1
29	0934060003	HEXAGON NUT DIN0934-M 6	2
30	0125080003	WASHER DIN0125-A 8,4	1
31	60013058000	SECURING CLIP D=8MM 03	1
32	0985080003	SELF LOCKING NUT DIN0985-M 8	1
80*	00062030000	BRAKE FLUID DOT 5.1	1

076011310 / C076251301

* NEW PART

X AS REQUIRED

BRAKE CALIPER FRONT

950 SUPERMOTO ORANGE EU 2007

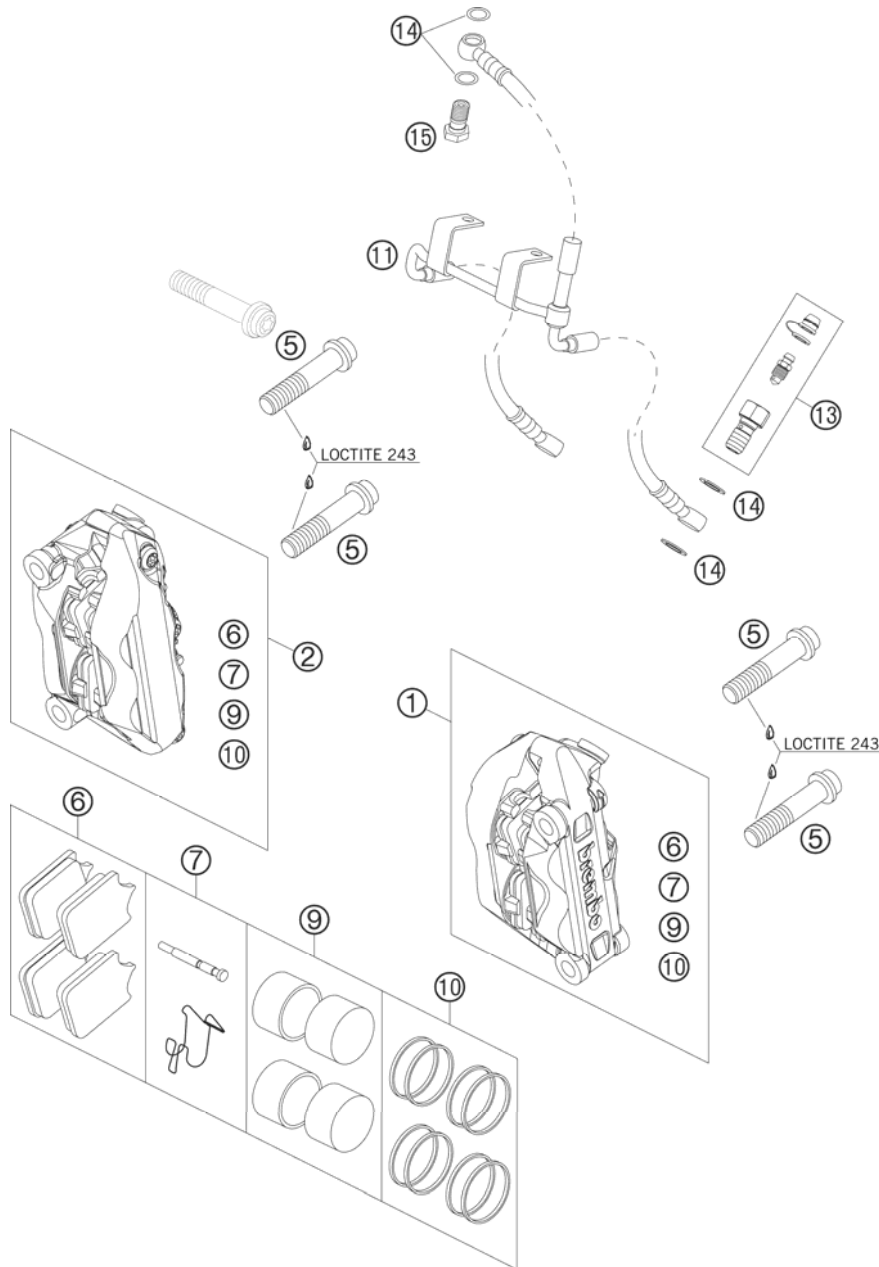


FIG	PART NUMBER	DESCRIPTION	QTY
1	62513015000	BRAKE CALIPER RADIAL L/S 05	1
2	62513016000	BRAKE CALIPER RADIAL R/S 05	1
5	0035100559	AH-COLLAR SCREW M10X1,25X55	4
6	61013030000	BRAKE PAD FR. TOSHIBA TT2172HH	2
7	61013018000	BOLT AND SPRING F. BR.CALIPER	2
9	61013019000	BRAKE PISTONS 4X	2
10	61013019100	REP.KIT SEALING RINGS 4X	2
11	62513012000	BRAKE PIPE FRONT CPL. 05	1
13	62513020000	BLEEDER SCREW CPL. 05	2
14*	0603100141	COPPER GASKET DIN7603-10X14X1	6
15	50213025000	HOLLOW SCREW M10X1X19	1

056251302 / C076251302

* NEW PART

X AS REQUIRED

BRAKE CALIPER REAR

950 SUPERMOTO ORANGE EU 2007

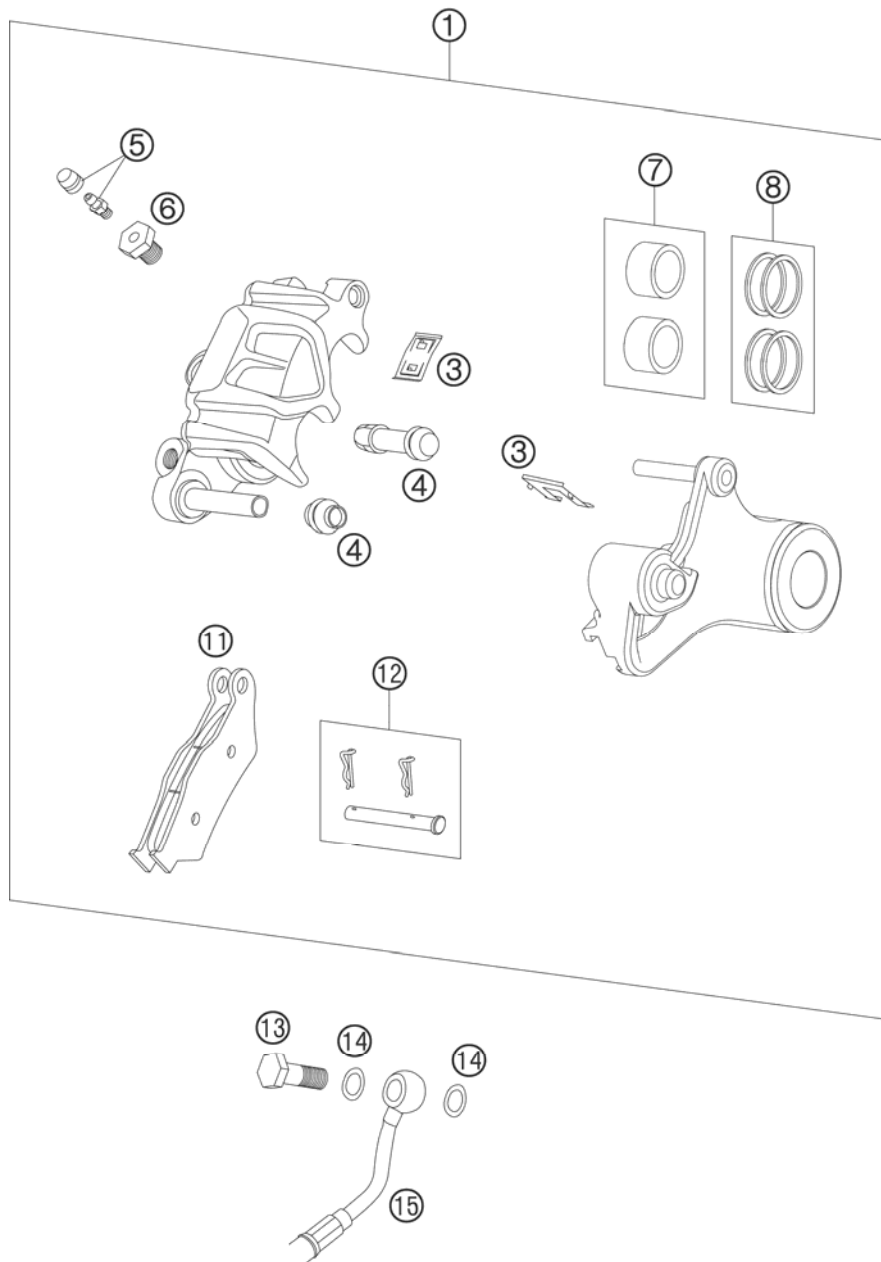


FIG	PART NUMBER	DESCRIPTION	QTY
1	60013080000	BRAKE CALIPER REAR 03	1
3	60013018100	RETAINING PLATE SET REAR 03	1
4	54613218000	CUP SET SHORT	1
5	60013020200	BLEEDER SCREW WITH CAP M6	1
6	60013020100	ADAPTER SCREW	1
7	60013083200	BRAKE PISTONS 05	1
8	60013081000	REP.KIT SEALINING RINGS	1
11	50313030200	BRAKEP.SET FR.TOSHIBA TT2701HH	1
12	60013017200	BOLT SET	1
13	50213025000	HOLLOW SCREW M10X1X19	1
14*	0603100141	COPPER GASKET DIN7603-10X14X1	2
15	62513072000	BRAKE HOSE REAR 05	1

03600133 / C076251303

* NEW PART

X AS REQUIRED

LIGHTING SYSTEM

950 SUPERMOTO ORANGE EU 2007

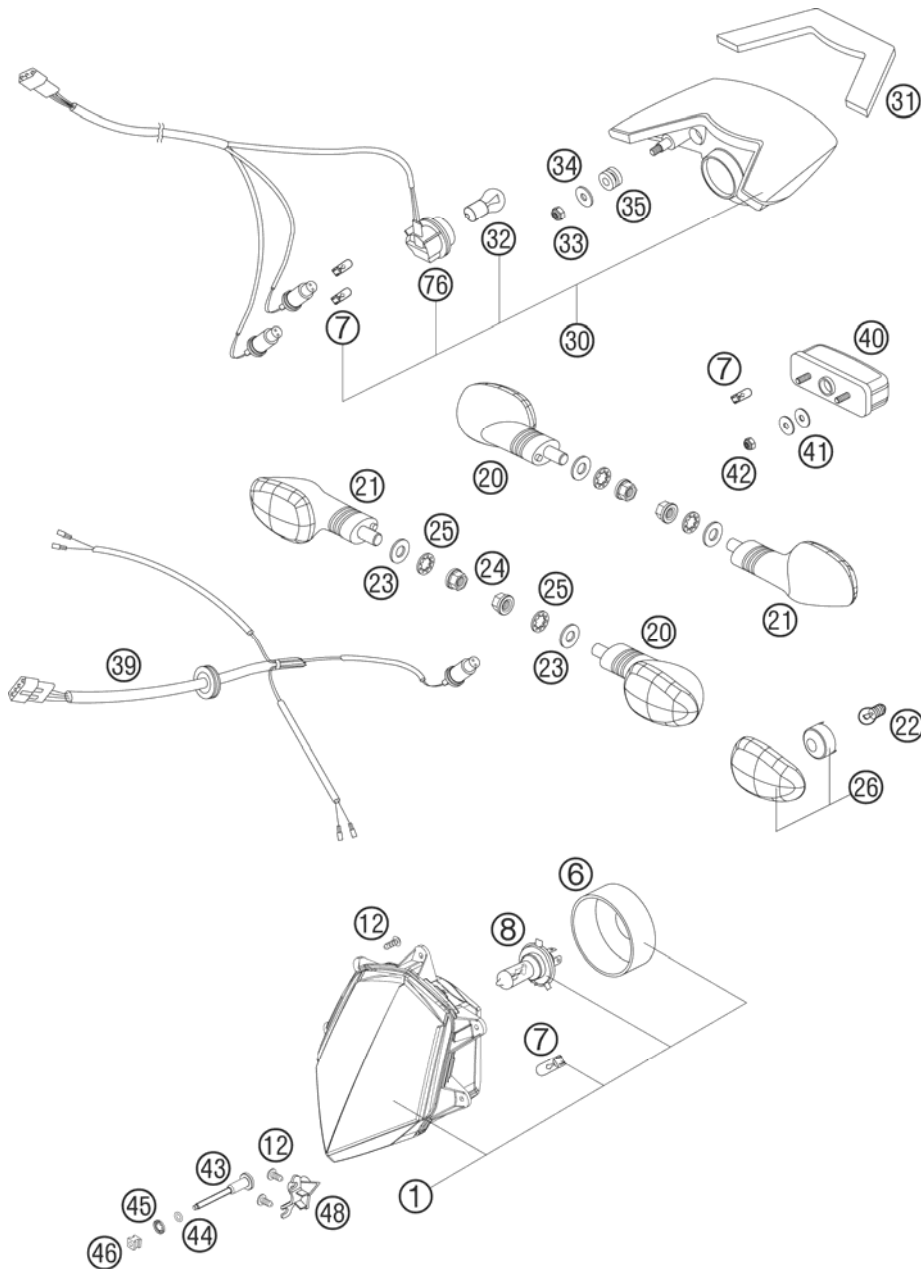


FIG	PART NUMBER	DESCRIPTION	QTY
1	58614001000	HEAD LIGHT RIGHT TR. 05	1
6	58614001050	RUBBER CAP FOR HEAD LIGHT 05	1
7	49011435100	BULB 12V 5W (W2,1X9,5D) PHIL.	4
8	57111038000	BULB H4 12V 60/55W (P43T)	1
12	0016050121	SCREW FOR PLASTIC 50X12	7
20	58414025100	FLASHER CPL.FRONT L/S REAR R/S	2
21	58414026100	FLASHER CPL.FRONT R/S REAR L/S	2
22	44111015100	BULB 12V 10W (BA15S)	4
23	0125100003	WASHER DIN0125-A10,5	4
24	58414030000	HH COLLAR NUT M10X1,25 WS=13	4
25	0797100003	LOCK WASHER DIN6797-J10,5 ZI	4
26	58414028100	FLASHER LENS L/S & R/S 02	4
30	58614040044	REAR LIGHT CPL. 05	1
31	58614040050	METAMOLL FOR HEAD LIGHT 05	1
32	60014048000	BULB 12V 21W	1
33	0985060003	SELF LOCK. NUT DIN0985-M 6	2
34	0021060003	WASHER DIN9021-A 6,4	2
35	58214069051	RUBBER GROMMET 16X10,8X3 02	4
39	62511076000	WIRING HARNESS REAR 05	1
40	58414047000	LICENSE-PLATE ILLUMINATION '98	1
41	0021050003	WASHER DIN9021-A 5,3	4
42	0985050003	SELF LOCKING NUT DIN0985-M 5	2
43	58614021100	ADJ. SCREW HEAD LIGHT 06	1
44	0770080020	O-RING 8X2 SILICONE	1
45	58614024000	CLAMP RING F. HEAD LIGHT ADJ.	1
46	58614018000	ADJUSTING NUT F. HEAD L. ADJ.05	1
48	62514063050	TAB HEAD LIGHT ADJ. 05	1
76	58611076100	CABLE HARNESS REAR PART 05	1

056251400 / C056251400

* NEW PART

X AS REQUIRED

SPEEDOMETER

950 SUPERMOTO ORANGE EU 2007

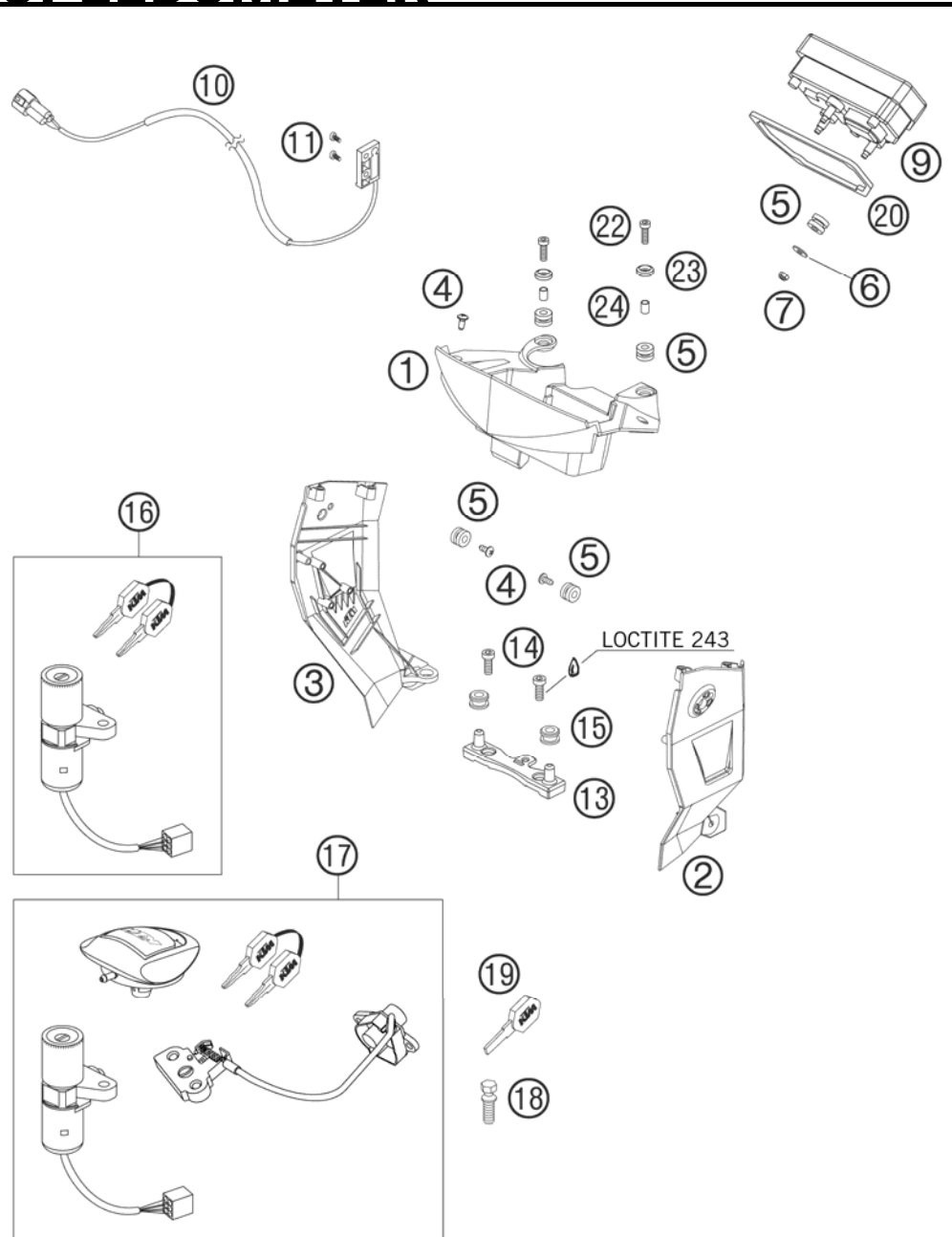


FIG	PART NUMBER	DESCRIPTION	QTY
1	62514061000	SPEEDOMETER BRACKET 05	1
2	62514062000	MASK BRACKET L/S 05	1
3	62514063000	MASK BRACKET R/S 05	1
4	0016050121	SCREW FOR PLASTIC 50X12	6
5	58214069051	RUBBER GROMMET 16X10,8X3 02	7
6	0021050003	WASHER DIN9021-A 5,3	3
7	0985050003	SELF LOCKING NUT DIN0985-M 5	3
9	61014069000	DIGITAL SPEEDOMETER 05	1
10	62514068000	SPEEDOMETER SENSOR 05	1
11	0084040083	CYL. HEAD SCREW DIN0084-M 4X8 A	2
13	62514064000	MASK SUPPORT BOTTOM 05	1
14	0984060163	AH SCREW DIN6912-M 6X16	2
15	60039030000	VIBRATION DAMPER DIGITALBOX 03	2
16	58411066100	IGNITION LOCK 99	1
17	62511066044	LOCK SYSTEM 05	1
18	60011064000	TAMPERPROOF SCREW F. IGN. LOCK	1
19	40011166100	KEY BLANK LC4/DUKE/LC8	1
20	60014068000	DAMPING RING TACHOMETER 03	1
22	0984060252	AH SCREW DIN6912 M6X25	2
23	60008045000	SPECIAL WASHER D=16,5MM 03	2
24	62514037000	SPACER BUSHING 6,2X7,5X10,3 05	2

056251402 / C056251402

* NEW PART

X AS REQUIRED

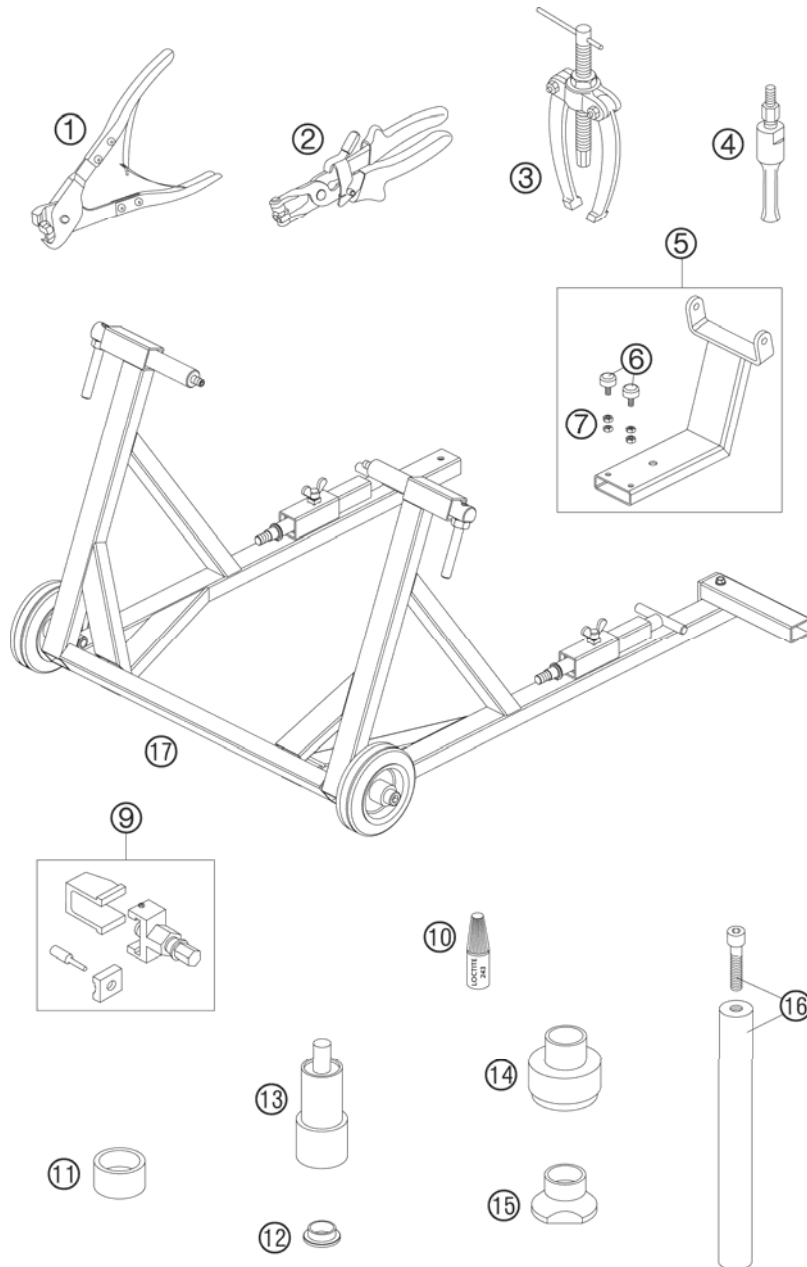


FIG	PART NUMBER	DESCRIPTION	QTY
1	60029057000	PLIERS F. VAR.ONE-EAR CLAMP 03	1
2	60029057100	PLIERS F. CLAMP 03	1
3	15112017000	BUSHING EXTRACTOR	1
4	60029018000	INTERN.BEAR.PULLER 28 MM	1
5	60029055100	ATTACHMENT WHEELED JACK 03	1
6	58303070000	STOP RUBBER M8	2
7	09340800003	HEXAGON NUT DIN0934-M 8	4
9	60029020000	RIVET TOOL 03	1
10	6899785	LOCTITE 243 BLUE 6CCM	1
11	60029056000	ANVIL DOLLY 03	1
12	60010013000	SPACER BUSH. REAR WHEEL R/S 03 FOR SWINGARM BEARING	1
13	58429086000	PRESS. TOOL F. LINK BEAR. LC4	1
14	58429091000	MOUNT.TOOL STEER.HEAD BEAR.LC4	1
15	58429092000	DISMOUNT. TOOL F. BEARINGS LC4	1
16	58429089000	HOLDING TOOL CHASSIS LC4	1
17	62529055000	VEHICLE STAND 05	1

056251900 / C056251900

* NEW PART

X AS REQUIRED

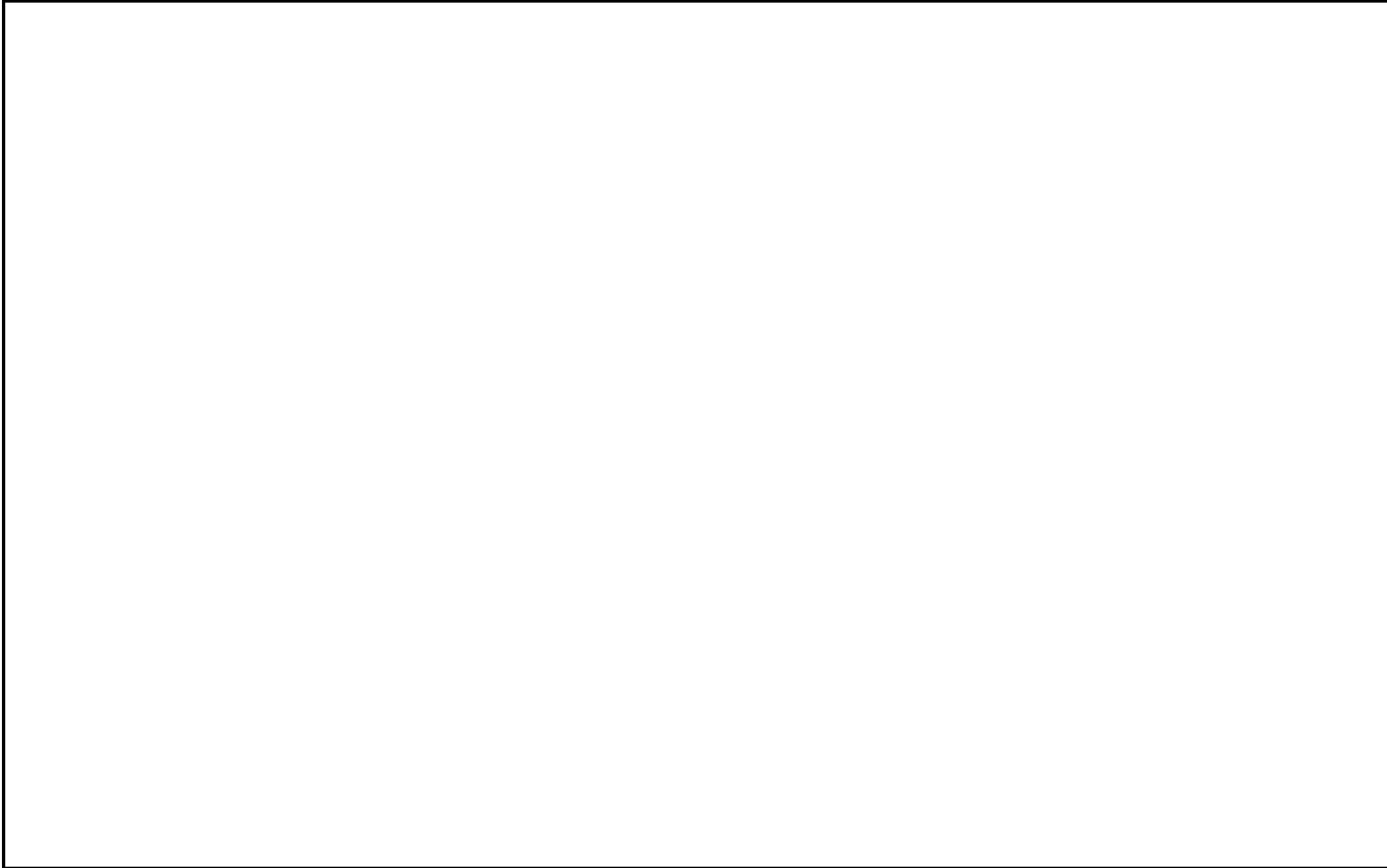


FIG	PART NUMBER	DESCRIPTION	QTY
0	00063099111	Bag for Instruction Manual	1
0	312305	DOCUMENTS BAG 2006	1
0	312313	KTM BALLPOINT ORANGE	1
0	3210039	CUSTOMER WELCOME LETTER	1
0	3211150	OWNER MAN. 950 SUPERMOTO/S 07	1

070002000 / C076252004

* NEW PART

X AS REQUIRED





KTM-Sportmotorcycle AG
A-5230 Mattighofen
www.ktm.at

KTM Group Partner



3CF9803G0EN



Art.Nr.: 3CF9803G0EN 9/2006